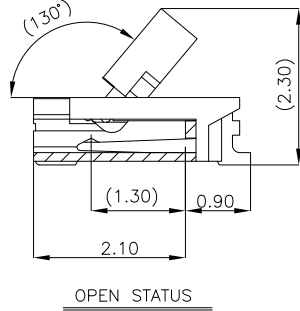
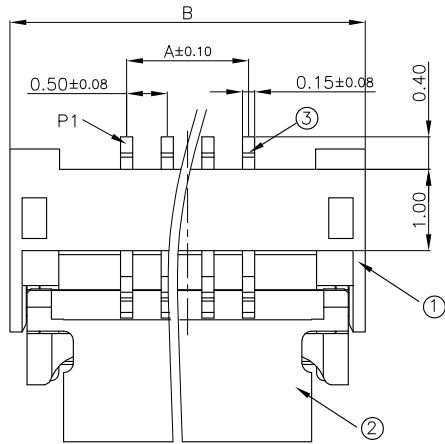
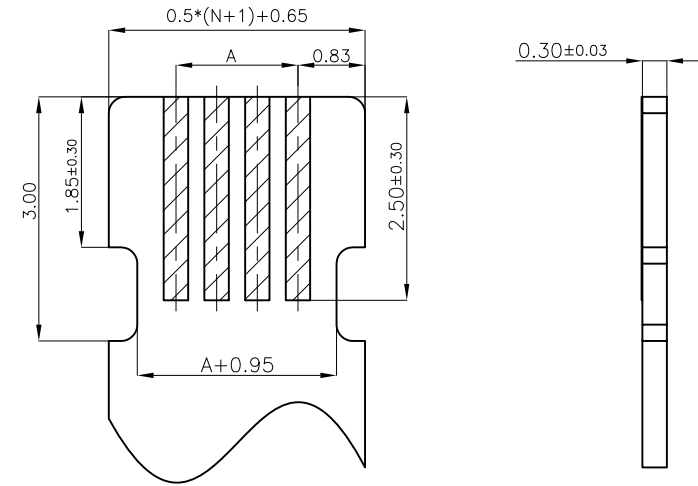
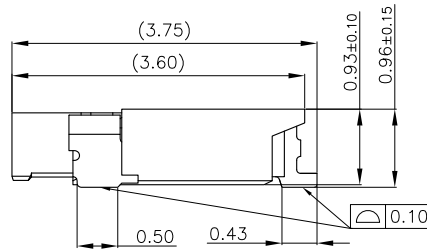
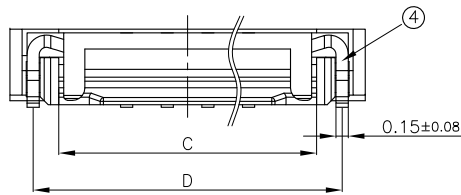


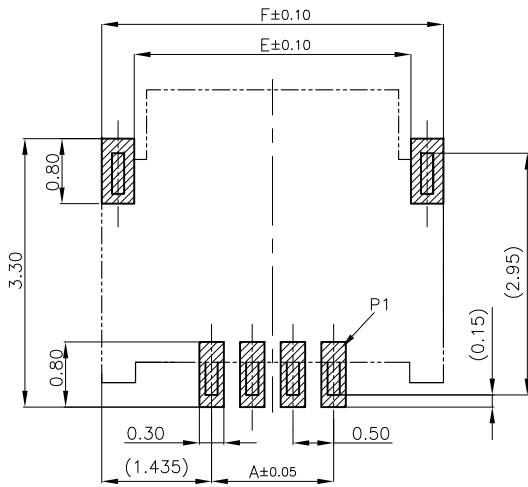
RoHS HF



- NOTES:
- DIMENSIONS SHOULD BE INTERPRETED PER ASME Y14.5-1994.
  - ELECTRICAL CHARACTERISTICS:
    - 2-1. CONTACT CURRENT RATING: 0.5A MAX. PER PIN;
    - 2-2. INSULATION RESISTANCE: 100 MEGAOHMS MIN. AT 500 VDC;
    - 2-3. DIELECTRIC WITHSTANDING VOLTAGE: 200 VAC RMS AT 60HZ FOR 1 MINUTE;
    - 2-4. CONTACT RESISTANCE: 50 MINIOHMS MAX. INITIAL. 100 MINIOHMS MAX. AFTER PHYSICAL AND ENVIRONMENTAL TESTS.
  - MECHANICAL CHARACTERISTICS
    - 3-1. DURABILITY: 30 CYCLES;
  - ENVIRONMENTAL CHARACTERISTICS
    - 4-1. OPERATING TEMPERATURE: -40°C TO +85
  - HARMFUL MATERIAL CONTROL SHOULD MEET DOCUMENT C:DSQC0042.



RECOMMENDED FFC DIMENSION  
TOLERANCE: ±0.05



RECOMMENDED P.C.B. LAYOUT  
TOLERANCE: ±0.05

PART NO.  
FC5AF\*\*\*-2931H-A

FPC CONN. PITCH: 5=0.5mm

POS. NO.: 04=04 POS. 26=26 POS.

HALOGEN/LEAD FREE TAPE & REEL

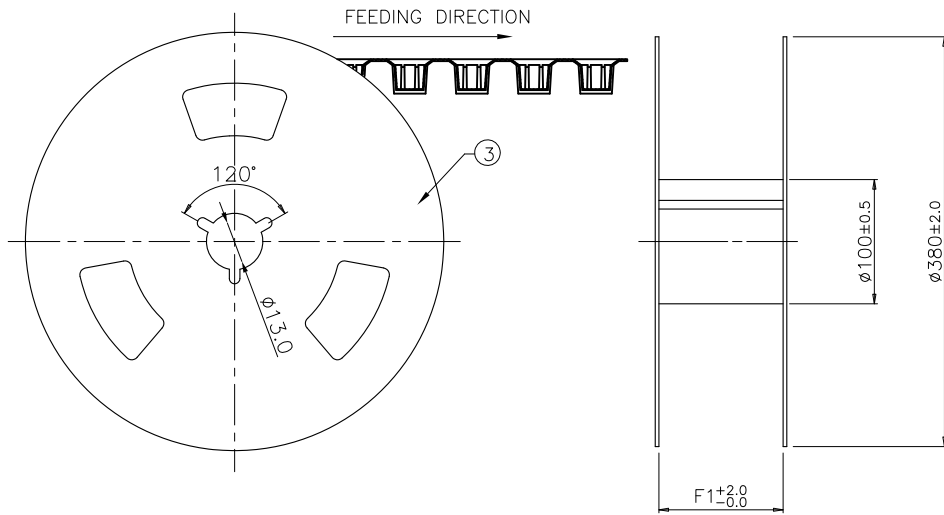
PROFILE HEIGHT: 93=0.93mm

CONTACT AREA PLATING: 1=GOLD PLATING

POS.	DIM.A	DIM.B	DIM.C	DIM.D	DIM.E	DIM.F
40 POS	19.50	22.37	21.17	21.80	21.55	22.35
30 POS	14.50	17.37	16.17	16.80	16.55	17.35
26 POS	12.50	15.37	14.17	14.80	14.55	15.35
20 POS	9.50	12.37	11.17	11.80	11.55	12.35
18 POS	8.50	11.37	10.17	10.80	10.55	11.35
16 POS	7.50	10.37	9.17	9.80	9.55	10.35
12 POS	5.50	8.37	7.17	7.80	7.55	8.35
10 POS	4.50	7.37	6.17	6.80	6.55	7.35
8 POS	3.50	6.37	5.17	5.80	5.55	6.35
6 POS	2.50	5.37	4.17	4.80	4.55	5.35
5 POS	2.00	4.87	3.67	4.30	4.05	4.85
4 POS	1.50	4.37	3.17	3.80	3.55	4.35

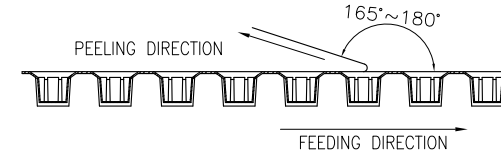
ITEM	DESCRIPTION	Q'TY	MATERIAL	TREATMENT
④	PAD	2	COPPER ALLOY	50u" MIN. NICKEL UNDER PLATING; 100u" MIN. MATTE TIN PLATING OVERALL.
③	CONTACT	N	COPPER ALLOY	50u" MIN. NICKEL UNDER PLATING; 1u" MIN. GOLD ON CONTACT AREA; 1u" MIN. GOLD ON SOLDER AREA.
②	COVER	1	THERMOPLASTIC	UL, 94V-0 BLACK
①	HOUSING	1	THERMOPLASTIC	UL, 94V-0 WHITE
UNITS: mm		GENERAL TOLERANCE		APPROVED: Fan Fang
DATE: 09/19'16		CHECKED: Daniel Yuan		PART NO.(INTENDED USE) FC5AF***-2931H-A
SCALE: 15:1		DRAWING: Adam Zhu		TITLE: CUSTOMER DRAWING
SHEET: 1/3		MATERIAL: SEE TABLE		DRAWING NO.: 820-0000-0457
REV.: A		FINISH: SEE TABLE		

**Highstar**  
Drapho ELECTRONICS TECHNOLOGY CO., LTD



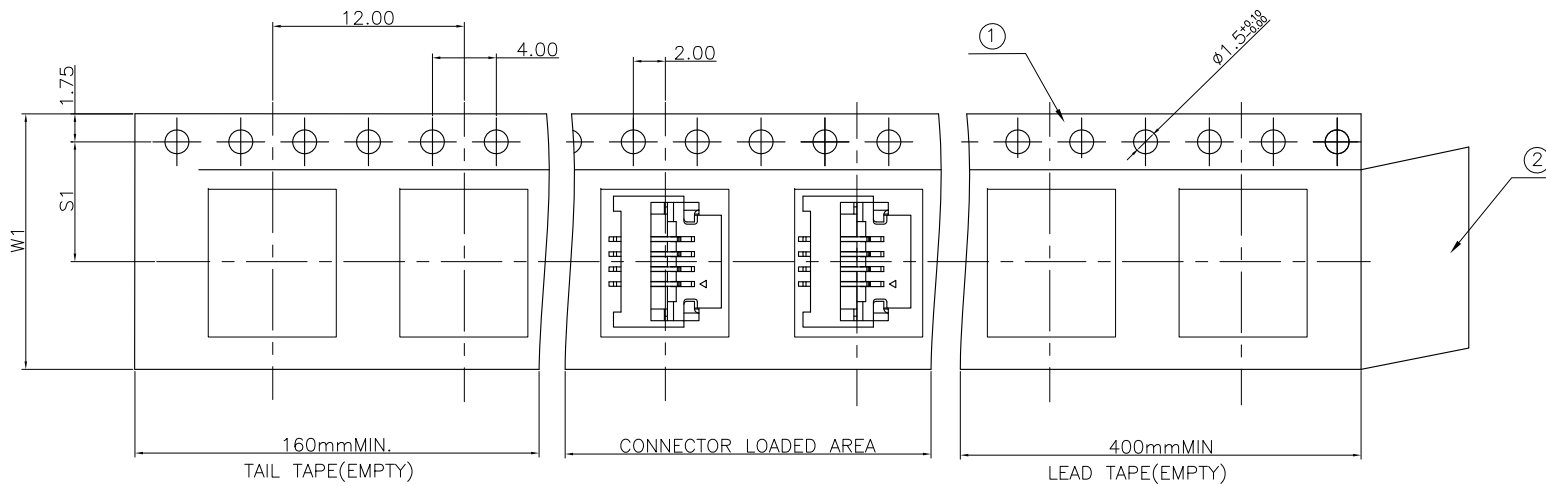
NOTES:

- 1.10 PITCHES CUMULATIVES TOLERANCE ON TAPE IS +/-0.20mm;
- 2.COVER TAPE PEELING STRENGTH :0.13Kgf MAX. AT 300mm/MINUTE;



3.PACKAGING CAPACITY:

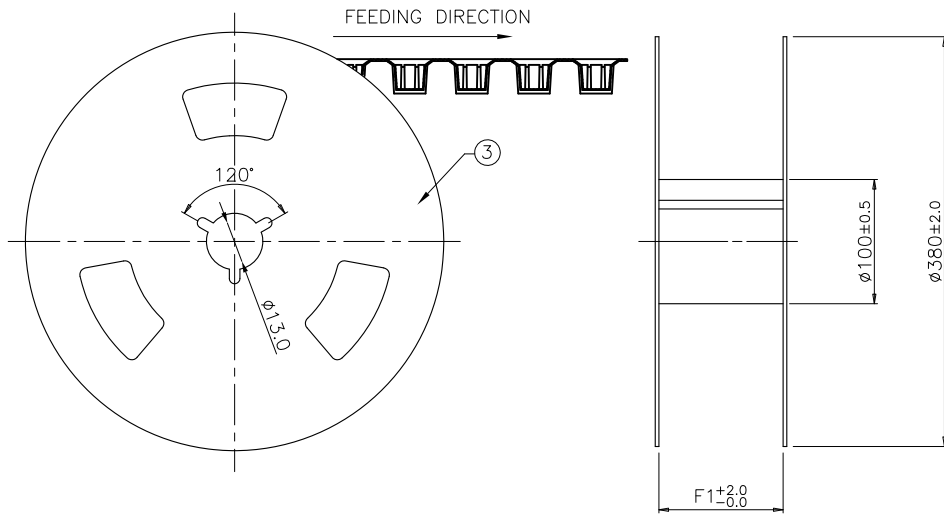
NO. OF POS.	S1	W1	F1	PCS/REEL	REEL/BOX	PCS/REEL
4&5&6&8&10&12	7.5	16.0	22.4	4000	9	36000
16&18&20&26	11.5	24.0	30.4	4000	6	24000



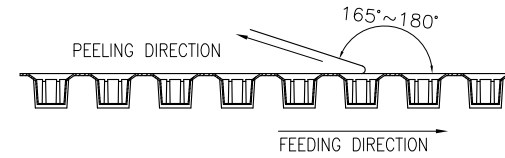
ITEM	DESCRIPTION	MATERIAL
③	REEL	POLYSTYRENE
②	COVER TAPE	POLYSTER
①	CARRIER TAPE	POLYSTYRENE

UNITS: mm	GENERAL TOLERANCE	APPROVED: Fan.Fang	PART NO.(INTENDED USE) FC5AF**1-2931H-A
DATE: 09/19'16	X: :±0.50 .X :±0.30 .XX :±0.20 .XXX	X*: :±5° .X* :±2° .XX* .XXX*	CHECKED: Daniel Yuan
SCALE: 10:1	MATERIAL: N/A	Q'TY N/A	TITLE: ASSEMBLY DRAWING
SHEET: 2/3	FINISH: N/A	DRAPHO ELECTRONICS TECHNOLOGY CO., LTD	DRAWING NO.: 820-0000-0457
REV.: A			Highstar



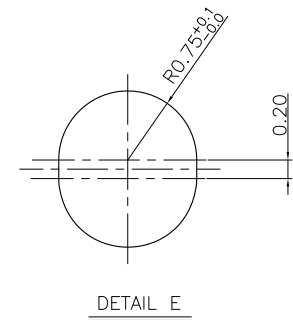
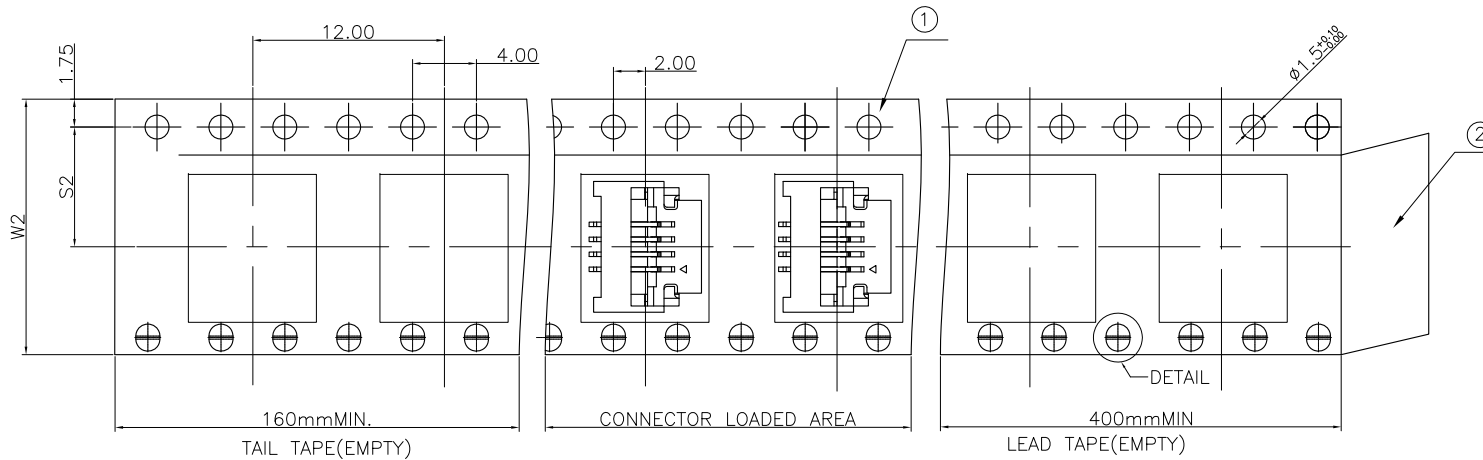


- NOTES:
- 1.10 PITCHES CUMULATIVES TOLERANCE ON TAPE IS +/-0.20mm;
  - 2.COVER TAPE PEELING STRENGTH :0.13Kgf MAX. AT 300mm/MINUTE;



3.PACKAGING CAPACITY:

P/N	S2	W2	F2	PCS/REEL	REEL/BOX	PCS/REEL
FC5AF301-2931H	14.2	32.0	32.4	4000	5	20000
FC5AF401-2931H	20.2	44.0	44.4	4000	4	16000



ITEM	DESCRIPTION	MATERIAL
③	REEL	POLYSTYRENE
②	COVER TAPE	POLYSTER
①	CARRIER TAPE	POLYSTYRENE



UNITS: mm	GENERAL TOLERANCE	APPROVED: Fan.Fang	PART NO.(INTENDED USE) FC5AF**1-2931H-A
DATE: 09/19'16	X. :±0.50 .X :±0.30 SCALE: 10:1 .XX :±0.20 .XXX	X.* :±5° .X* :±2°	CHECKED: Daniel Yuan
SHEET: 3/3	MATERIAL: N/A	Q'TY N/A	TITLE: ASSEMBLY DRAWING
REV.: A	FINISH: N/A		DRAWING NO.: 820-0000-0457
			Highstar
Drapho ELECTRONICS TECHNOLOGY CO., LTD			