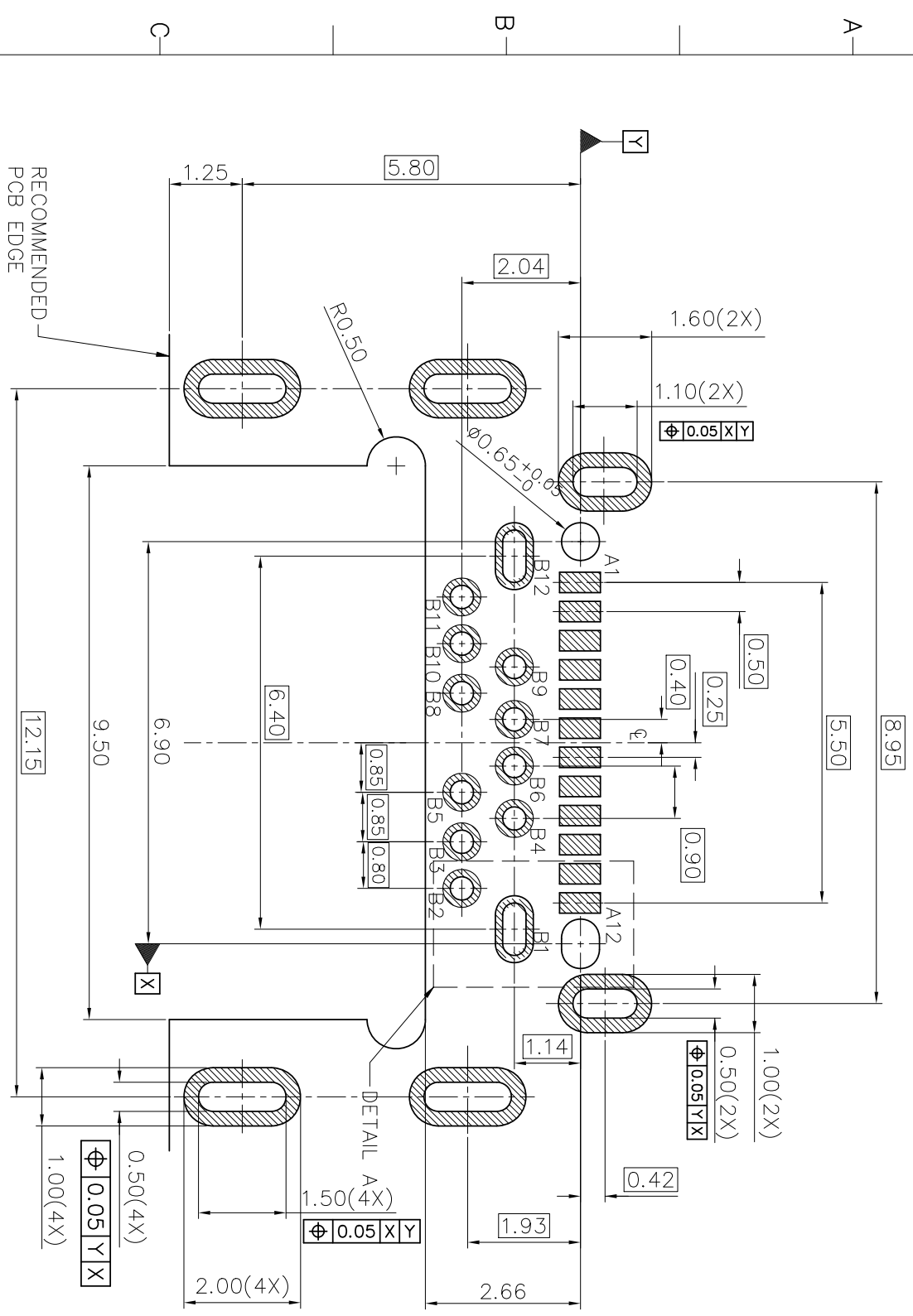


- UB 1 1 12 * - A 5 A 0 B - 1 H
- 1: RIGHT ANGLE TYPE
- 1: RECEPTACLE
- 12: 12POS./ROW
- CONTACT PLATING:
 - 6: 50" GOLD PLATING ON CONTACT AREA
 - 9: 30u" GOLD PLATING ON CONTACT AREA
- H: HALOGEN FREE & LEAD FREE PACKAGE CODE
- 1: CARRIER TAPE
- B: T/H TYPE
- 0: COLOR: BLACK
- A: SMT-T/H TYPE

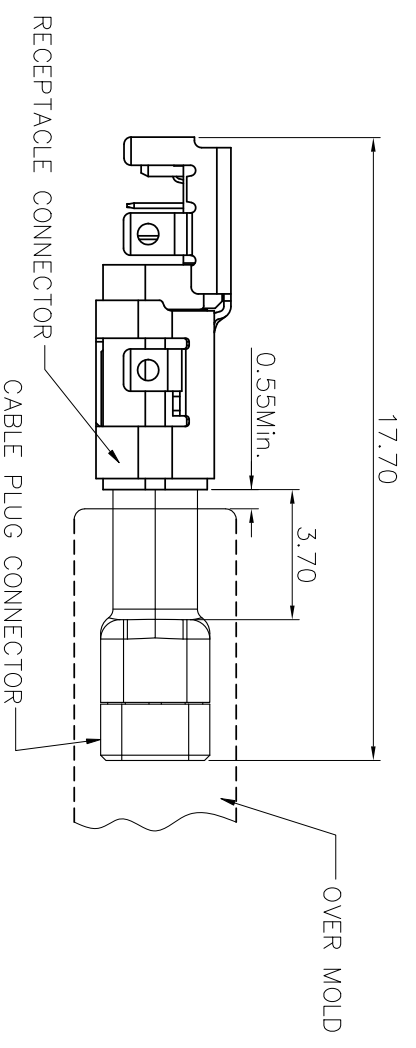
- NOTES:
1. MATERIAL: SEE TABLE.
 2. ELECTRICAL PERFORMANCES:
 - 2-1. VOLTAGE RATING: 20V DC MAX.
 - 2-2. CURRENT RATING:
 - VBUS AND GND AT RATED OF 1.25A, PARALLELED FOR A TOTAL OF 5A.
 - 2-3. LOW LEVEL CONTACT RESISTANCE: 40mΩ MAX. FOR VBUS, GND AND OTHER CONTACTS, 50mΩ MAX. FINAL AFTER TEST.
 - 2-4. INSULATION RESISTANCE: 500 MΩ MIN.
 - 2-5. DIELECTRIC WITHSTANDING VOLTAGE: SUBJECT A VOLTAGE OF 100V AC FOR 1 MINUTE BETWEEN ADJACENT CONTACTS;
 - 3. MECHANICAL PERFORMANCES:
 - 3-1. MATING FORCE: 0.5~2.0Kgf.
 - 3-2. UNMATING FORCE: 0.8~2.0Kgf INITIAL, 0.6~2Kgf FINAL.
 - 3-3. DURABILITY: 10000 CYCLES.
 - 4. G.P PASSED ACCORD WITH ROHS STANDARD.

ITEM	NAME	MATERIAL	FINISH
⑤	SHELL	STAINLESS STEEL	50u" MIN. SOLDERABLE NICKEL PLATING OVER ALL.
④	BRACKET	STAINLESS STEEL	50u" MIN. SOLDERABLE NICKEL PLATING OVER ALL.
③	GND BLADE	COPPER ALLOY	GOLD PLATING ON CONTACT AREA, 1u" GOLD FLASH ON SOLDER AREA, 80u" MIN. NICKEL UNDER PLATED OVER ALL.
②	SIGNAL CONTACT	COPPER ALLOY	GOLD PLATING ON CONTACT AREA, 1u" GOLD FLASH ON SOLDER AREA, 80u" MIN. NICKEL UNDER PLATED OVER ALL.
①	I/M	HIGHTEMP-PLASTIC	UL94V-0; COLOR: BLACK

UNITS: mm	GENERAL TOLERANCE	APPROVED: River Yao	PART NO. (INTENDED USE)
DATE: 10/09'18	CHECKED: River Yao	TITLE: CUSTOMER DRAWING FOR 12 POS	UB1112*-A5A0B-1H
SCALE: .XX ±0.10	DRAW: Suson Zhao	DRAWING NO.:	820-0000-0324
SHEET: 1/3	MATERIAL: N/A	Q'TY	N/A
REV.: D	FINISH: N/A		

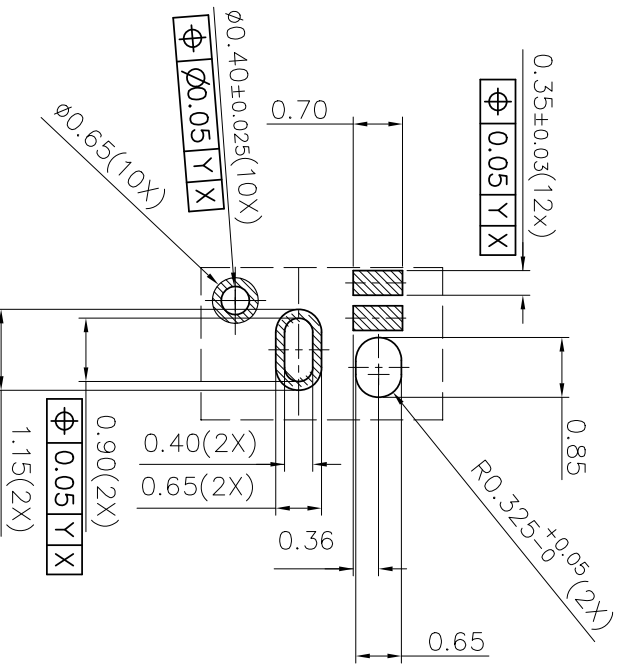


RECOMMENDED PCB LAYOUT(TOP VIEW)
PCB THICKNESS 1.0±0.05mm



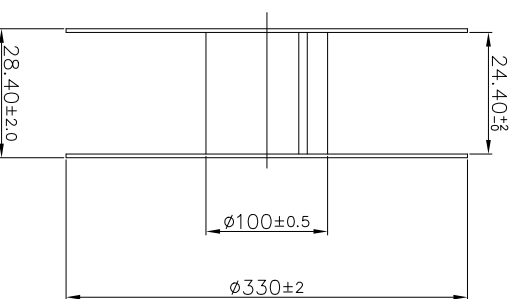
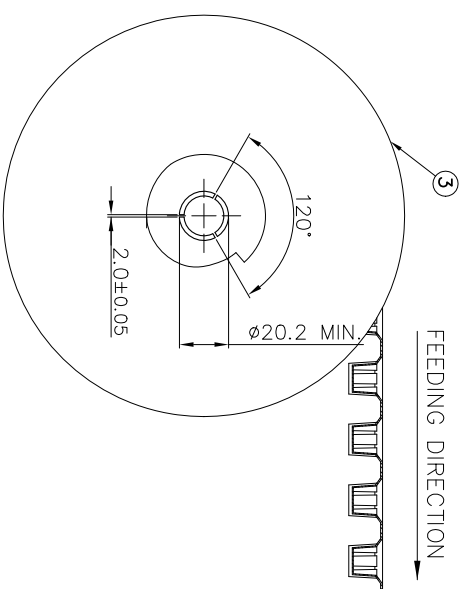
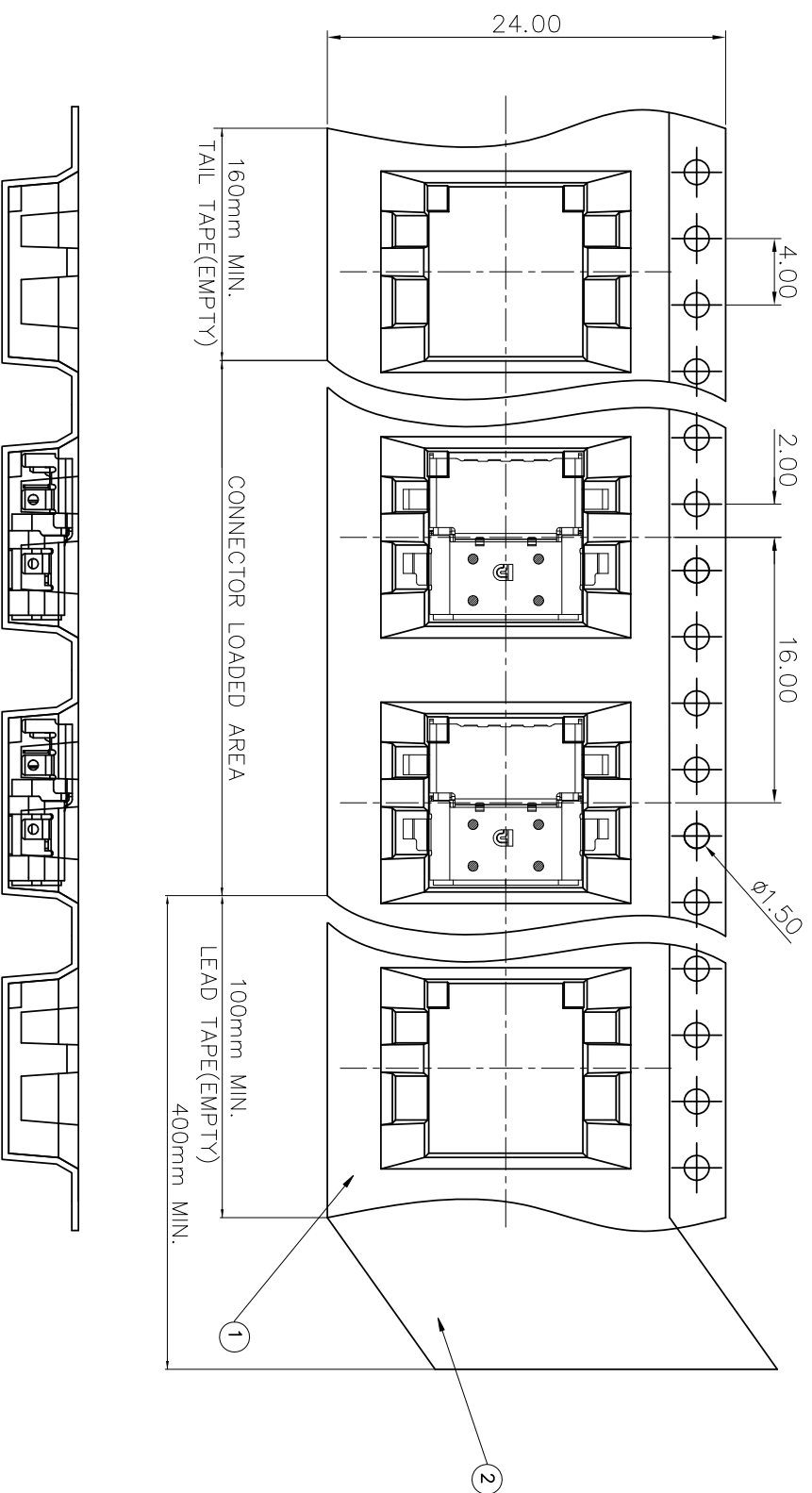
Pin	Signal	Description	Mating Sequence	Description	Signal	Pin
A1	GND (20V 5A)	Ground return	First	Ground return	Power GND (5A)	B12
A2	SSTXp1	Positive half of first SuperSpeed TX differential pair	Second	Positive half of first SuperSpeed RX differential pair	SSRXp1	B11
A3	SSTRXn1	Negative half of first SuperSpeed TX differential pair	Second	Negative half of first SuperSpeed RX differential pair	SSRXn1	B10
A4	VBUS	Bus Power	First	Bus Power	VBUS	B9
A5	CC1	Configuration Channel	Second	Sideband User(SBU)	SBU2	B8
A6	Dp1	Positive half of the USB2.0 differential pair-Position 1	Second	Negative half of the USB2.0 differential pair-Position 2	Dn2	B7
A7	Dn1	Negative half of the USB2.0 differential pair-Position 1	Second	Positive half of the USB2.0 differential pair-Position 2	Dp2	B6
A8	SBU1	Sideband User(SBU)	Second	Configuration Channel	CC2	B5
A9	VBUS	Bus Power	First	Bus Power	VBUS	B4
A10	SSRXn2	Negative half of second SuperSpeed RX differential pair	Second	Negative half of second SuperSpeed TX differential pair	SSTXn2	B3
A11	SSRXp2	Positive half of second SuperSpeed RX differential pair	Second	Positive half of second SuperSpeed TX differential pair	SSTXp2	B2
A12	GND	Ground return	First	Ground return	GND	B1

Pin Assignments

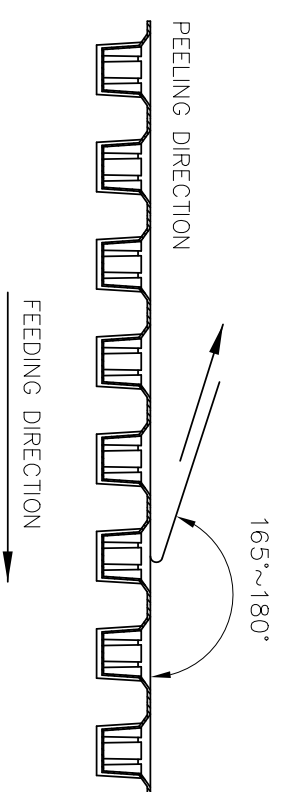


DETAIL A

UNITS: mm	GENERAL TOLERANCE	APPROVED: River Yao	PART NO.(INTENDED USE) UB1112*-A5A0B-1H
DATE: 10/09'18	X. ±0.15	CHECKED: River Yao	TITLE: CUSTOMER DRAWING FOR 24 POS
SCALE: .XX ±0.10	.XX ±0.10	DRAW: Suson Zhao	-0.5MM CENTRE HEIGHT USB CONN
SHEET: 2/3	MATERIAL: N/A		DRAWING NO.: 820-0000-0324
REV.: D	FINISH: N/A		



NOTES:
 1.10 PITCHES CUMULATIVES TOLERANCE ON TAPE IS +/-0.20mm;
 2.COVER TAPE PEELING STRENGTH :0.13kgf MAX. AT 300mm/MINUTE;



3.PACKAGING CAPACITY:

P/N	PCS/REEL	REEL/BOX	PCS/BOX
UB1112*-A5A0B-1H	800	6	4800

ITEM	DESCRIPTION	MATERIAL
③	REEL	POLYSTYRENE
②	COVER TAPE	POLYESTER
①	CARRIER TAPE	POLYSTYRENE

UNITS: mm	GENERAL TOLERANCE	APPROVED: River Yao	PART NO.(INTENDED USE) UB1112*-A5A0B-1H
DATE: 10/09'18	X. ±0.15	CHECKED: River Yao	TITLE: CUSTOMER DRAWING FOR 24 POS
SCALE: NA	.XX ±0.10	DRAW: Suson Zhoo	-0.5MM CENTRE HEIGHT USB CONN
SHEET: 3/3	MATERIAL: N/A		DRAWING NO.: 820-0000-0324
REV.: D	FINISH: N/A		



Drapho ELECTRONICS TECHNOLOGY CO., LTD

Hightstar