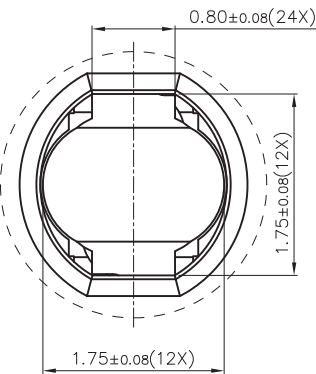
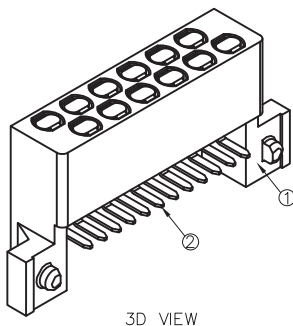
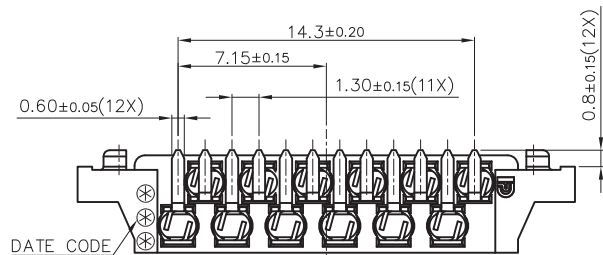


RoHS HF

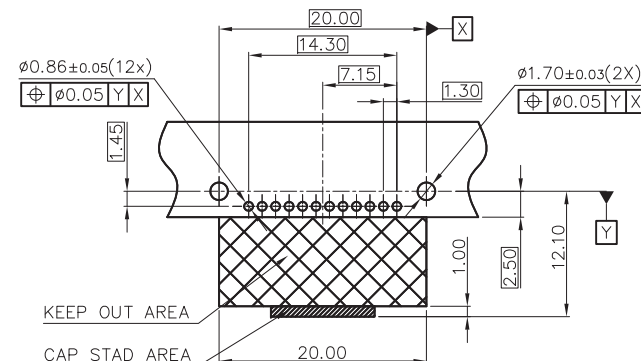
REV.	ECN. NO.	APPD.
A	ECN150825025	Fan Fang
B	ECN160115009	Fan Fang
C	ECN161125002	Fan Fang



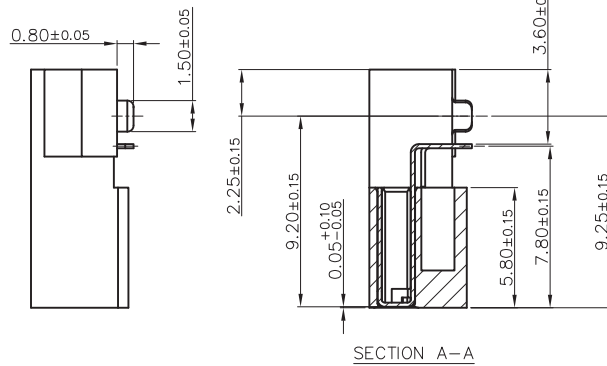
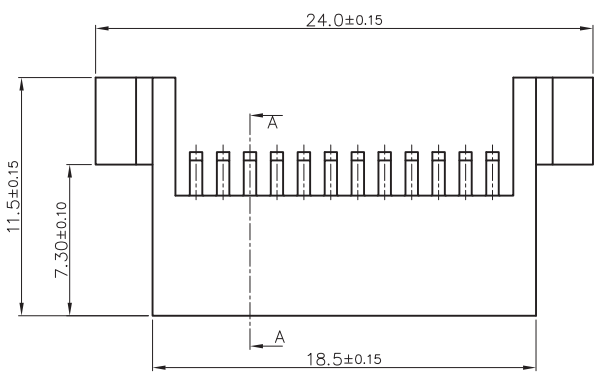
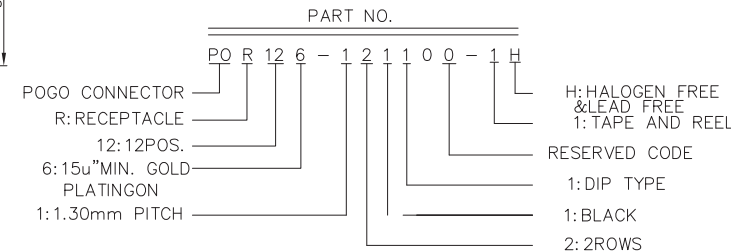
NOTES:
 1.MATERIAL: SEE TABLE.
 2.ELECTRICAL PERFORMANCES:
 2-1.RATED CURRENT & VOLTAGE: 3A MAX.,DC12V;
 2-2.CONTACT RESISTANCE: 50 mohm MAX. AT WORKING HEIGHT(QUIESCENCE)
 3.MECHANICAL PERFORMANCES:
 3-1.DURABILITY: 20K CYCLES MIN.
 4.HARMFUL MATERIAL SHOULD MEET THE REQUIRMENTS OF DRAPHO STANDARD DOCUMENT "DSQC0042"

DATE CODE
 * * * WEEK
 * * YEAR
 (5=2015 6=2016 ...)

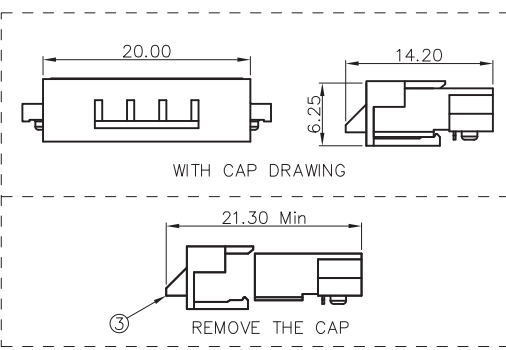
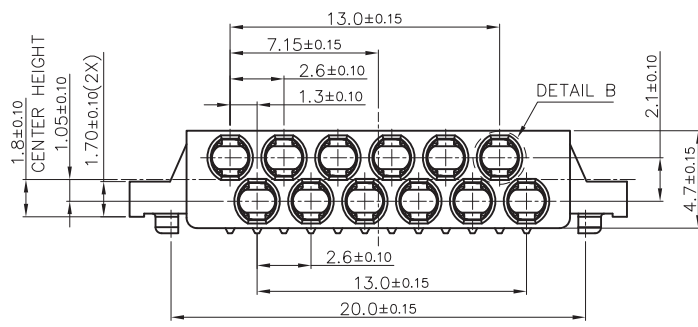
DETAIL B
 SCALE 20:1



RECOMMENDED PCB LAYOUT (TOP VIEW)
 THICKNESS=1.0 MM . TOLERANCE ±0.05



SECTION A-A



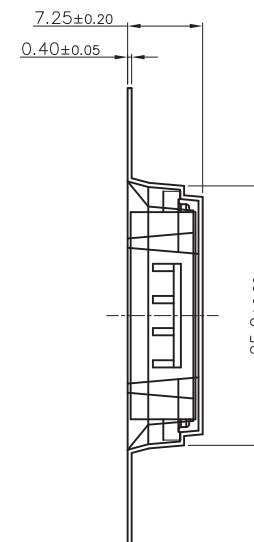
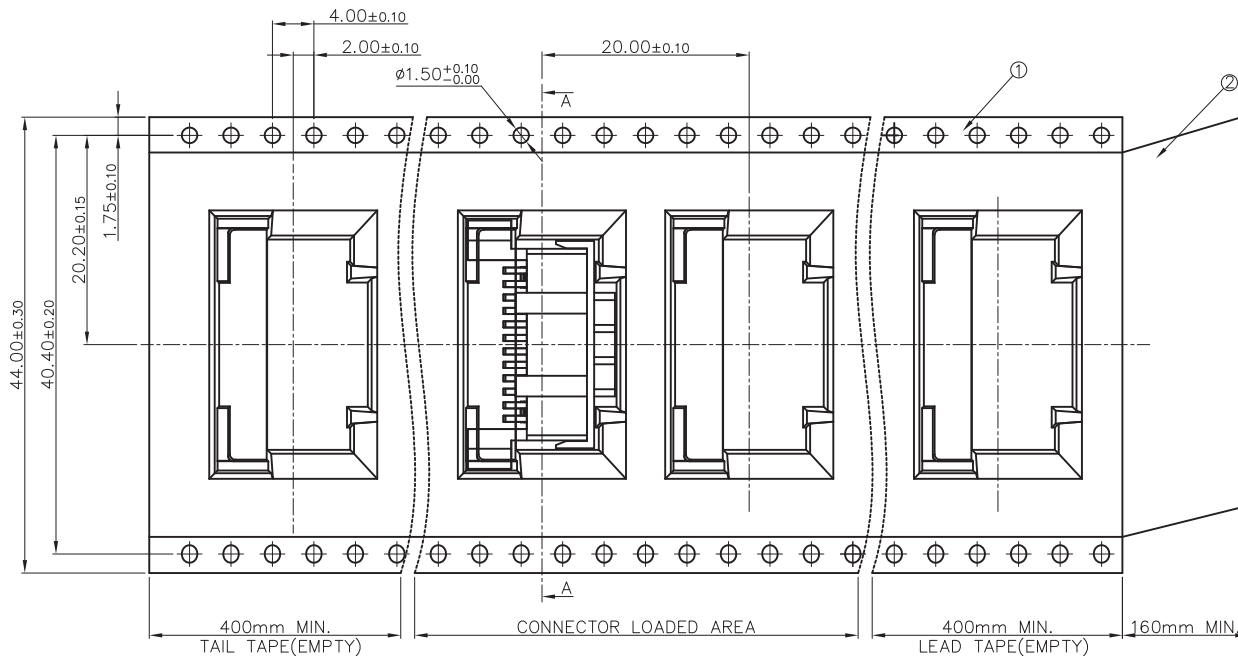
WITH CAP SHOW
 SCALE 2:1

③	CAP	HIGH TEMP PLASTICS	UL94V-0 COLOR:BLACK
②	CONTACT	COPPER ALLOY	15u" MIN. Gold ON CONTACT AREA, 50u" MIN NICKEL UNDERPLATED OVER ALL.
①	HOUSING	HIGH TEMP PLASTICS	UL94V-0 COLOR:BLACK

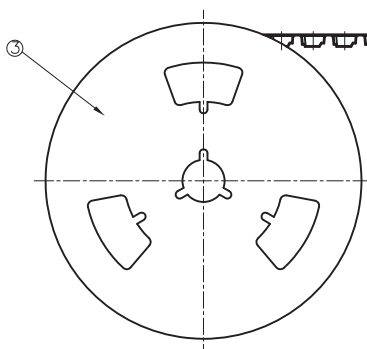
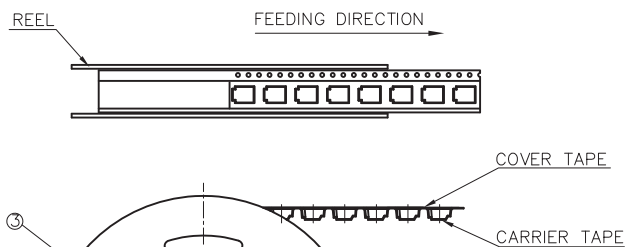
ITEM DISCRPTION		MATERAIL		FINISH	
UNITS: mm	GENERAL TOLERANCE	APPROVE: Fan Fang	PART NO. POR126-121100-1H		
DATE: 11/25'16	X. ±0.50 .X ±0.30 .XX ±0.20 .XXX ±0.10	CHECKED: Wes.Wu	TITLE:CUSTOMER DRAWING FOR GRAF POGO PIN TABLET SIDE		
SCALE: 4/1		DRAW: Leo Jin	DRAWING NO.: 820-0000-0282		
SHEET: 1/2	MATERIAL: N/A	QTY: N/A	Highstar Drapho ELECTRONICS TECHNOLOGY CO., LTD		
REV.: C	FINISH: N/A				

RoHS HF

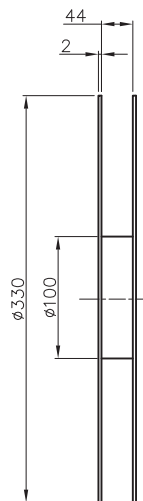
REV.	ECN. NO.	APPD.



SECTION A-A

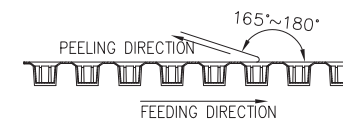


PACKAGE REFERENCE



NOTES:

- 1.10 PITCHES CUMULATIVES TOLERANCE ON TAPE IS +/-0.20mm;
- 2.COVER TAPE PEELING STRENGTH :0.13Kgf MAX. AT 300mm/MINUTE; PEELING DIRECTION



3.PACKAGING CAPACITY:

P/N	PCS/REEL	REEL/BOX	PCS/BOX
POR126-121100-1H	400	6	2400

ITEM	DESCRIPTION	MATERIAL
③	REEL	POLYSTYRENE
②	COVER TAPE	POLYSTER
①	CARRIER TAPE	POLYSTYRENE

UNITS: mm	GENERAL TOLERANCE	APPROVE: Fan Fang	PART NO. POR126-121100-1H
DATE: 11/25'16	X. ±0.50 .X ±0.30	CHECKED: Wes.Wu	TITLE:CUSTOMER DRAWING FOR GRAF POGO PIN TABLET SIDE
SCALE: 2/1	.XX ±0.20 .XXX ±0.10	DRAW: Leo Jin	DRAWING NO.: 820-0000-0282
SHEET: 2/2	MATERIAL: N/A	Q'TY N/A	 Highstar Drapho ELECTRONICS TECHNOLOGY CO., LTD
REV.: C	FINISH: N/A		