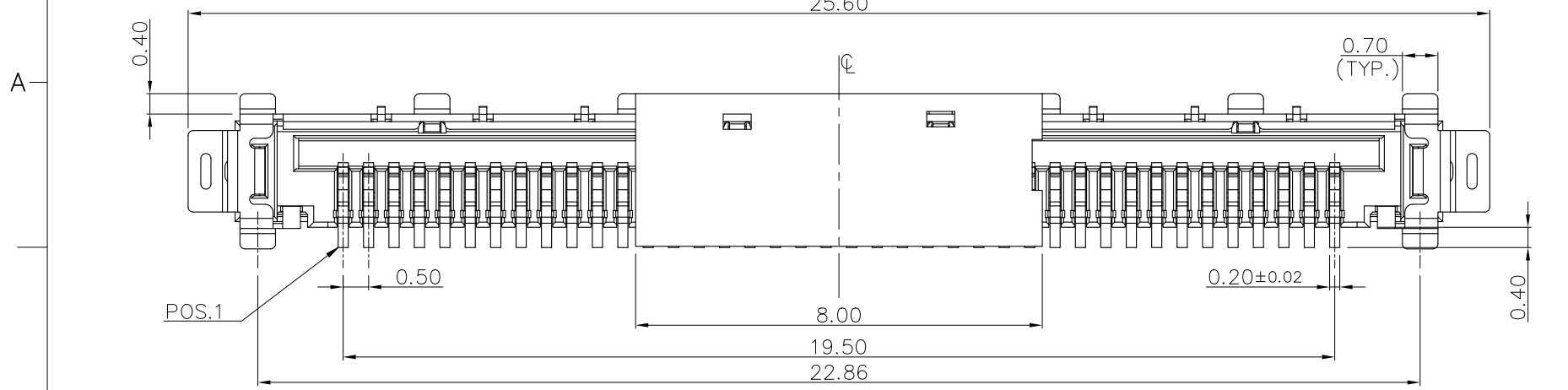


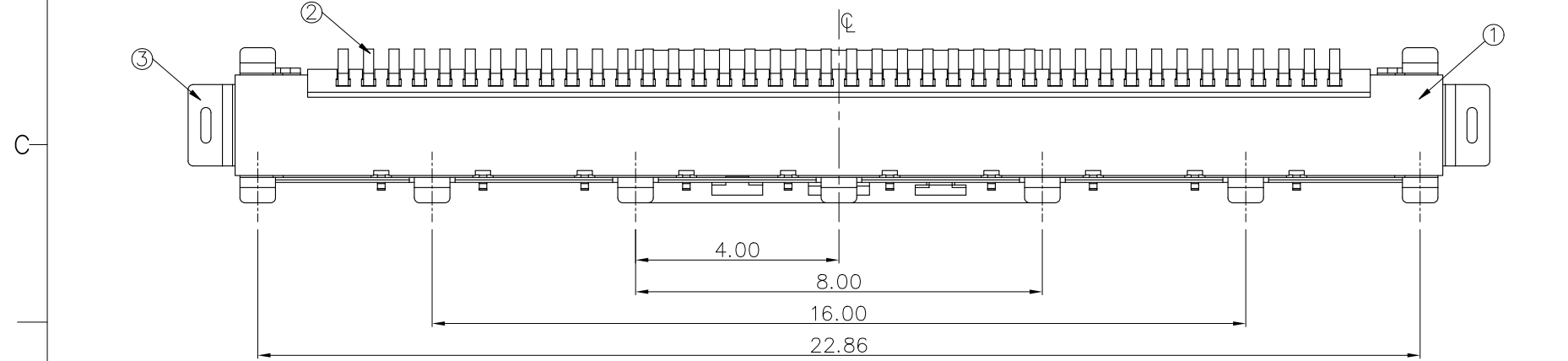
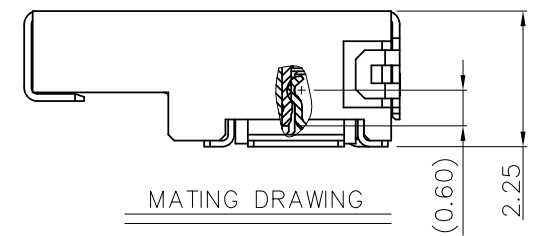
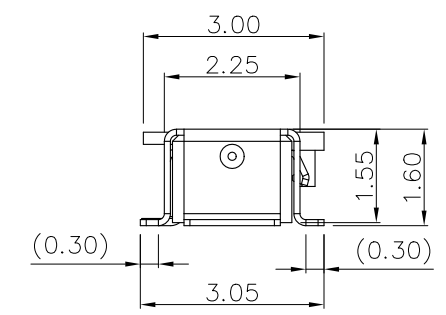
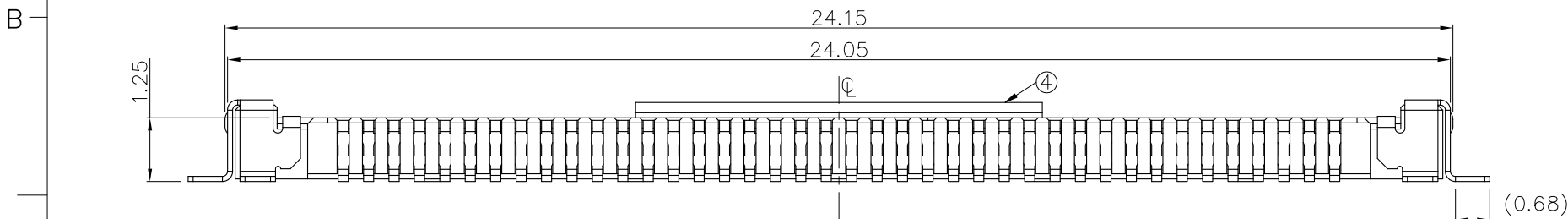
AUTOCAD GENERATED DRAWING, DON'T CHANGE BY HAND

RoHS HF

REV.	ECN. NO.	APPD.
A	ECN140418004	Fan Fang
B	ECN190221006	Fan Fang



- NOTES:
- 1.DIMENSION SHALL BE INTERPRETED PER ASME Y14.5M-1994;
 - 2.ELECTRICAL PERFORMANCES:
 - 2-1.INSULATION RESISTANCE: 1000 MΩ MIN. INITIAL, 500MΩ MIN. AFTER;
 - 2-2.DIELECTRIC WITHSTANDING VOLTAGE: 250VAC rms FOR 1 MINUTE BETWEEN ADJACENT CONTACTS;
 - 3.MECHANICAL PERFORMANCES:
 - 3-1.DURABILITY: 30 CYCLES;
 - 3-2.MATING FORCE: 60N MAX., UNMATING FORCE: 6N MIN.
 - 4.HARMFUL MATERIAL CONTROL SHOULD MEET "DQSP2014".



WS 1 2 4 0 * - S 0 1 5 1 - HF

PITCH: 1=0.50mm

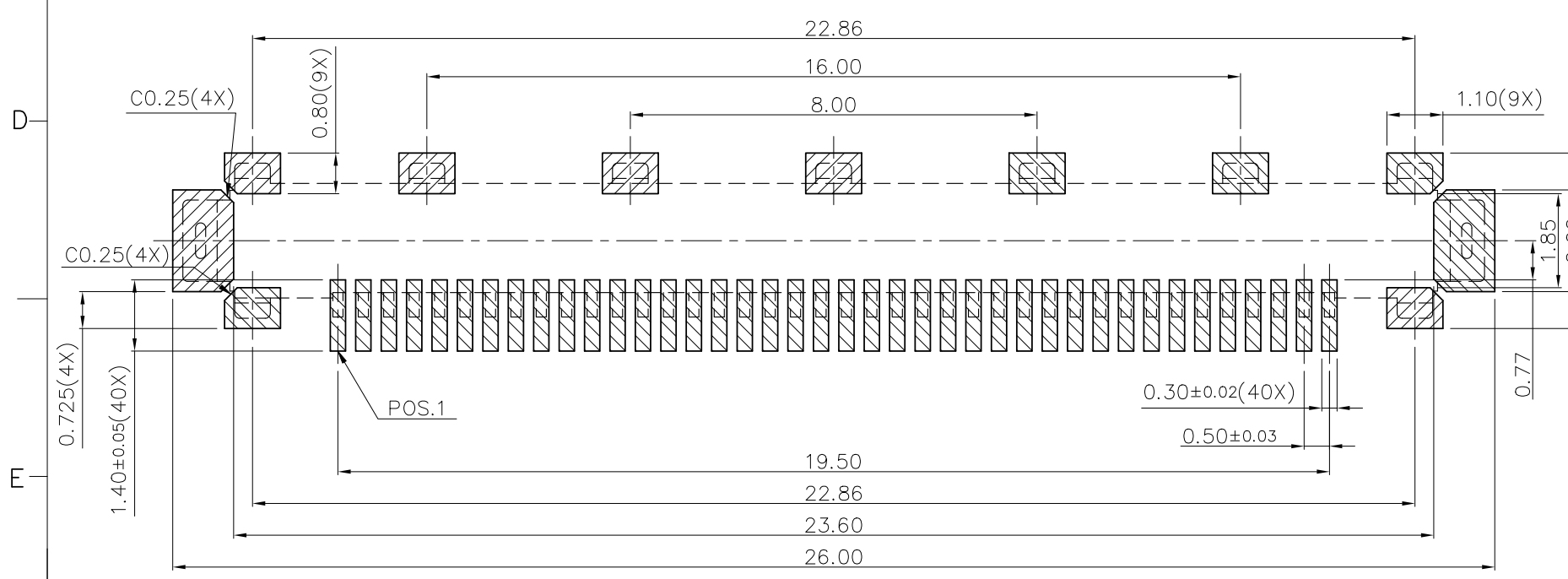
POS. NO.: 40=40POS.

CONTACT AREA PLATING:
1: 5u" MIN. GOLD PLATING
7: 15u" MIN. GOLD PLATING

HALOGEN FREE & LEAD FREE

PACKAGE CODE: 1=TAPE REEL

PROFILE HEIGHT: 15=1.55mm



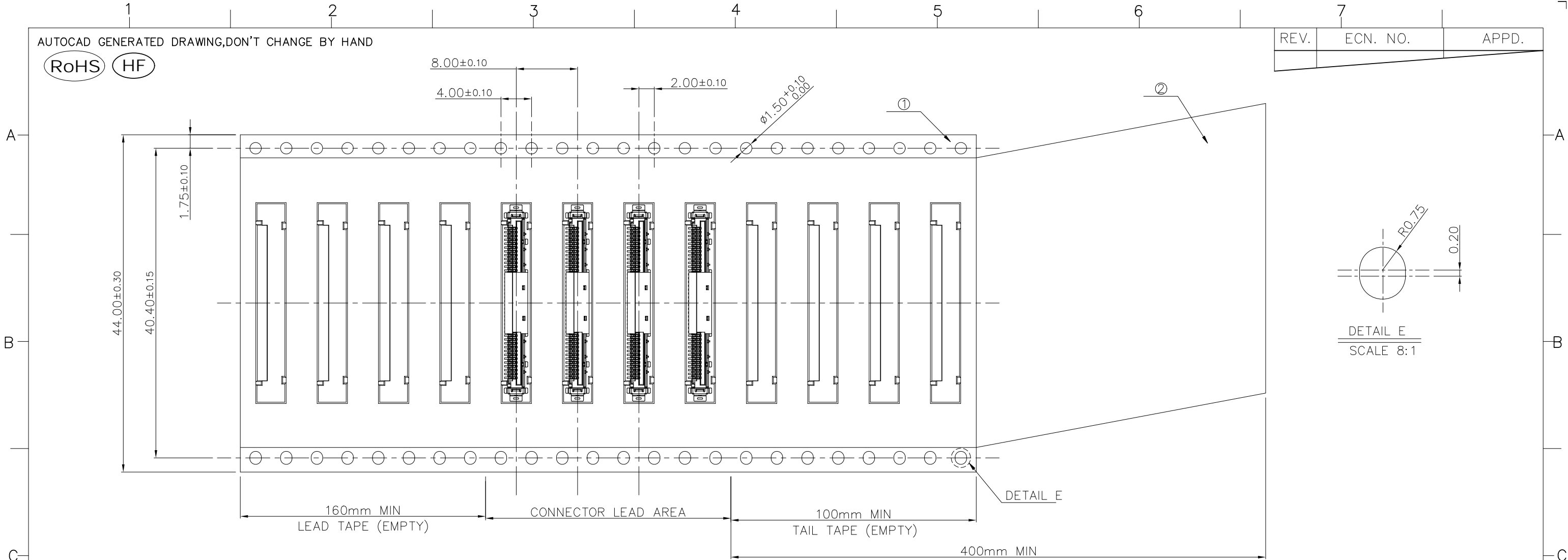
④	CAP	TEMP-PLASTIC	UL94V-0, BLACK	1	
③	SHELL	COPPER ALLOY	50u" MIN. NICKEL UNDER PLATING; 50u" MIN. MATTE TIN PLATING OVER ALL;	1	
②	CONTACT	COPPER ALLOY	50u" MIN. NICKEL UNDER PLATING; 15u" MIN. GOLD PLATING ON CONTACT AREA, GOLD FLASH ON SOLDER AREA.	FOR: WS12407-S0151-HF	40
			50u" MIN. NICKEL UNDER PLATING; 5u" MIN. GOLD PLATING ON CONTACT AREA, GOLD FLASH ON SOLDER AREA.	FOR: WS12401-S0151-HF	
①	HOUSING	TEMP-PLASTIC	UL94V-0, BLACK	1	
ITEM	NAME	MATERAIL	FINISH	Q'TY	

UNITS: mm	GENERAL TOLERANCE		APPROVED: Fan.Fang	PART NO.: WS1240*-S0151-HF
DATE: 02/21'19	X. ±0.30	X.* ±5.0°	CHECKED: Wes.Wu	TITLE: CUSTOMER DRAWING FOR 0.50P 1.15mmH 40POS LVDS CONN
SCALE: 8:1	.XX ±0.10	.XX* ±2.0°	DRAWING: Beal.Bao	DRAWING NO.: 820-0000-115
SHEET: 1/2	MATERIAL: SEE TABLE	Q'TY: SEE TABLE	Highstar Drapho ELECTRONICS TECHNOLOGY CO., LTD	
REV. B	FINISH: SEE TABLE			

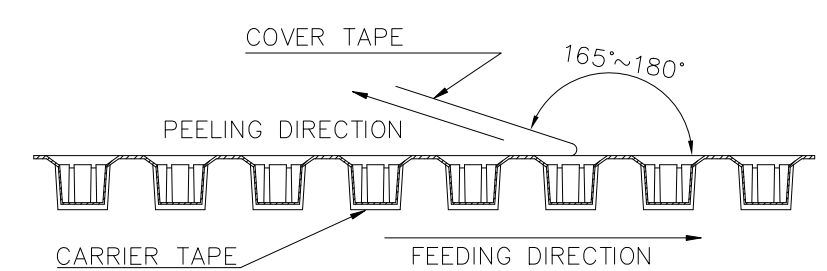
RECOMMENDED P.C.BOARD PATTERN LAYOUT

RoHS HF

REV.	ECN. NO.	APPD.



- NOTES:
 1. 10 PITCHES CUMULATIVE TOLERANCE ON TAPE ±0.20mm.
 2. COVER TAPE PEELING STRENGTH: 0.13kgf MAX AT 300mm/MINUTE.



3. PACKING CAPACITY:

P/N	PCS/REEL	REEL/BOX	PCS/BOX
WS1240*-S0151-HF	3000	3	9000

ITEM	DESCRIPTION
③	REEL
②	COVER TAPE
①	CARRIER TAPE

UNITS: mm	GENERAL TOLERANCE	APPROVED: Fan.Fang	PART NO.: WS1240*-S0151-HF
DATE: 02/21'19	X. ±0.30 X.* ±5.0° .X ±0.20 .X.* ±3.0°	CHECKED: Wes.Wu	TITLE: CUSTOMER DRAWING FOR 0.50P 1.15mmH 40POS LVDS CONN
SCALE: N/A	.XX ±0.10 .XX.* ±2.0°	DRAWING: Beal.Bao	DRAWING NO.: 820-0000-115
SHEET: 2/2	MATERIAL: SEE TABLE	Q'TY SEE TABLE	Highstar
REV. B	FINISH: SEE TABLE		Drapho ELECTRONICS TECHNOLOGY CO., LTD

