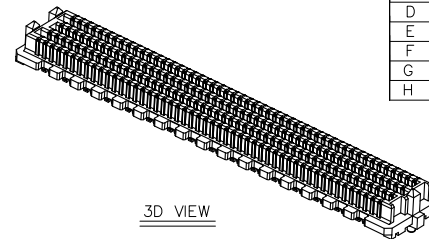
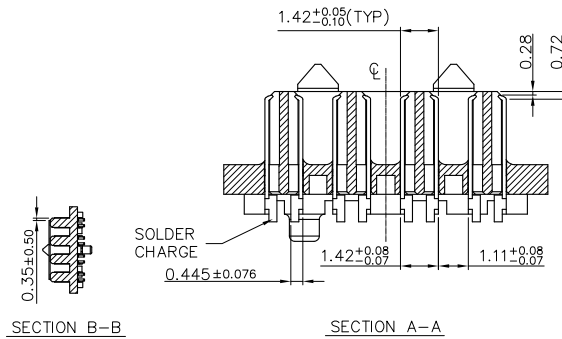
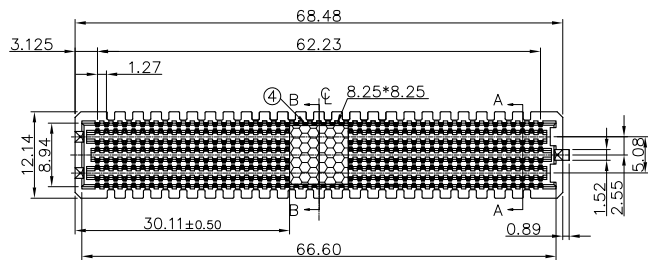
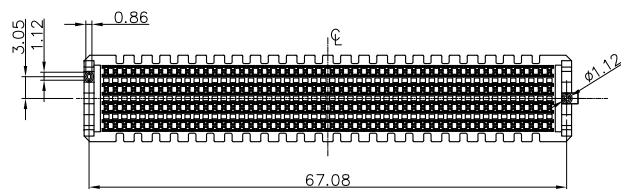
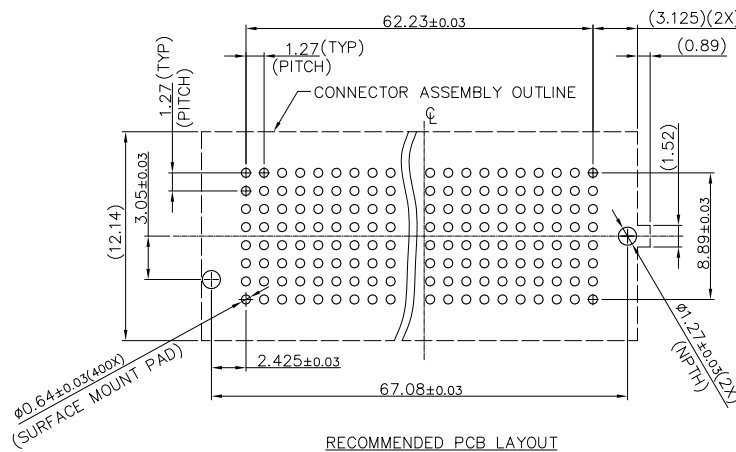
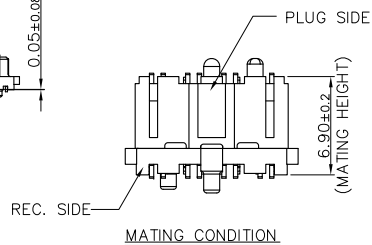
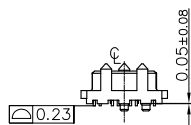
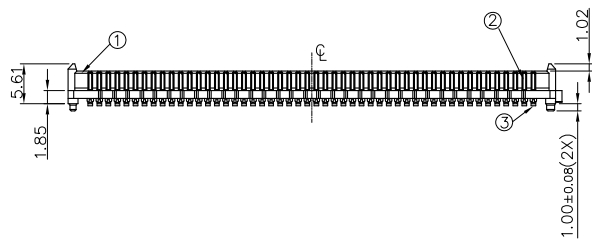


| REV. | ECN. NO. | APPD. |
|------|--------------|------------|
| A | ECN150806010 | Fan Fang |
| B | ECN151015006 | Fan Fang |
| C | ECN151201000 | Fan Fang |
| D | ECN151204025 | Fan Fang |
| E | ECN151207018 | Fan Fang |
| F | ECN160119001 | Fan Fang |
| G | ECN171108006 | Darren Lei |
| H | ECN180423026 | Darren Lei |



3D VIEW



PART LIST

| | | | | |
|---|---------------|-----|---------------|-------------------------------------------------------------------------------------|
| ④ | MYLAR | 1 | | SPEC: 8.25mm*8.25mm |
| ③ | SOLDER CHARGE | 400 | Sn | |
| ② | CONTACT | 400 | COPPER ALLOY | NICKEL UNDER PLATING; TIN PLATING ON SOLDER AREA GOLD PLATING ON CONTACT AREA |
| ① | HOUSING | 1 | THERMOPLASTIC | COLOR: BLACK UL, 94V-0 |

CONTACT AREA PLATING
1: 10u" MIN GOLD PLATING
3: 30u" MIN GOLD PLATING

NOTES:

- DIMENSIONS SHOULD BE INTERPRETED PER ASME Y14.5-1994.
- THE MATING FORCE IS 18KGF MAX., THE UNMATING FORCE IS 0.23KGF MIN.
- ENVIRONMENTAL CHARACTERISTICS:
3-1. OPERATING TEMPERATURE: -55℃~+125℃.
- HARMFUL MATERIAL CONTROL SHOULD MEET ROHS REQUIREMENT AND DRAPHO DOCUMENT "DQSP2014".

TABLE FOR MATING CONDITION

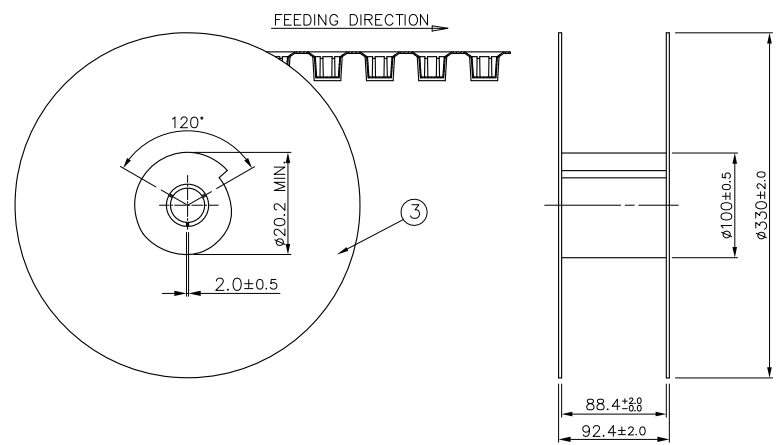
| ITEM | NAME | PART NO. | VENDER |
|------|----------------|------------------|--------|
| ② | REC. CONNECTOR | BTBSD01-50300-1H | Drapho |
| ① | PLUG CONNECTOR | BT1P400*-5601H | Drapho |



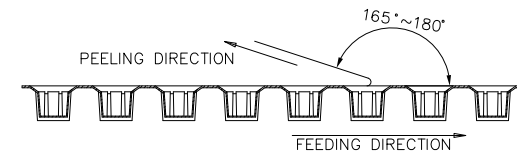
| ITEM | DESCRIPTION | Q'TY | MATERIAL | TREATMENT | ATTACHMENT |
|------|---------------|------|---------------|-------------------------------------------------------------------------------------|---------------------|
| ④ | MYLAR | 1 | | | SPEC: 8.25mm*8.25mm |
| ③ | SOLDER CHARGE | 400 | Sn | | |
| ② | CONTACT | 400 | COPPER ALLOY | NICKEL UNDER PLATING; TIN PLATING ON SOLDER AREA GOLD PLATING ON CONTACT AREA | |
| ① | HOUSING | 1 | THERMOPLASTIC | COLOR: BLACK | UL, 94V-0 |

| | | | |
|----------------|------------------------------------|----------------------------------------------------|-----------------------------------------------|
| UNITS: mm | GENERAL TOLERANCE | APPROVE: Darren Lei | PART NO.(INTENDED USE) BT1P400*-5601H |
| DATE: 04/23'18 | X. ±0.30 .X ±0.20 SCALE: N/A | CHECKED: Mike Wu | TITLE: CUSTOMER DRAWING FOR 1.27P 400POS PLUG |
| SHEET: 1/2 | MATERIAL: N/A | DRAW: Tiange Meng | DRAWING NO.: 820-0000-0255 |
| REV.: H | FINISH: N/A | Highstar Drapho ELECTRONICS TECHNOLOGY CO., LTD | |

| | | |
|------|----------|-------|
| REV. | ECN. NO. | APPD. |
| | | |

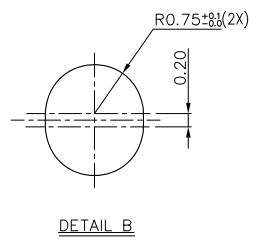
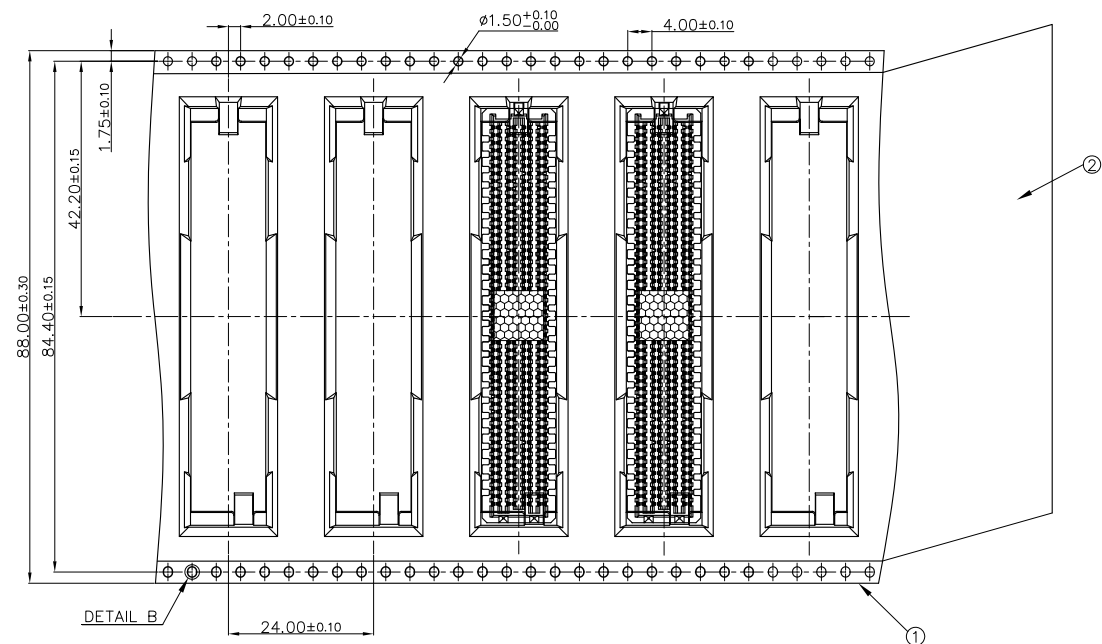


- NOTES:
- 10 PITCHES CUMULATIVE TOLERANCE ON TAPE ± 0.20 mm.
 - COVER TAPE PEELING STRENGTH: 0.13kgf MAX AT 300mm/MINUTE.



3. PACKING CAPACITY:

| P/N | PCS/REEL | REEL/BOX | PCS/BOX |
|----------------|----------|----------|---------|
| BT1P4001-5601H | 300 | 1 | 300 |
| BT1P4003-5601H | 300 | 1 | 300 |



| | |
|------|--------------|
| ③ | REEL |
| ② | COVER TAPE |
| ① | CARRIER TAPE |
| ITEM | DESCRIPTION |

| | | | |
|----------------|----------------------------------------------|---------------------|-----------------------------------------------|
| UNITS: mm | GENERAL TOLERANCE | APPROVE: Darren Lei | PART NO.(INTENDED USE) BT1P400*-5601H |
| DATE: 04/23'18 | X: ± 0.30 Y: ± 0.20 SCALE: N/A | CHECKED: Mike Wu | TITLE: CUSTOMER DRAWING FOR 1.27P 400POS PLUG |
| SHEET: 2/2 | MATERIAL: N/A | DRAW: Tiange Meng | DRAWING NO.: 820-0000-0255 |
| REV.: H | FINISH: N/A | | |
| | | | |
| | | Highstar | |