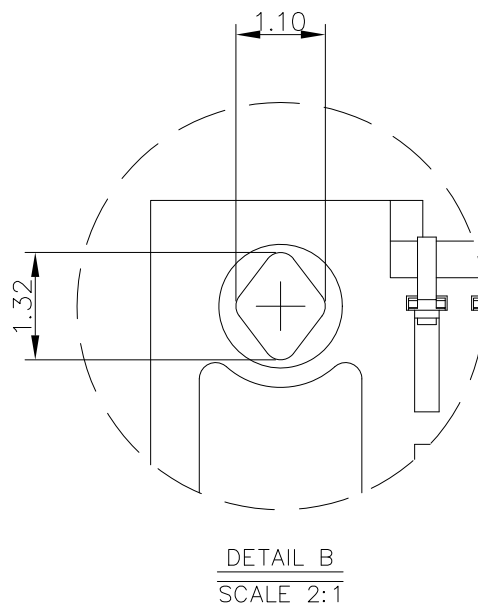
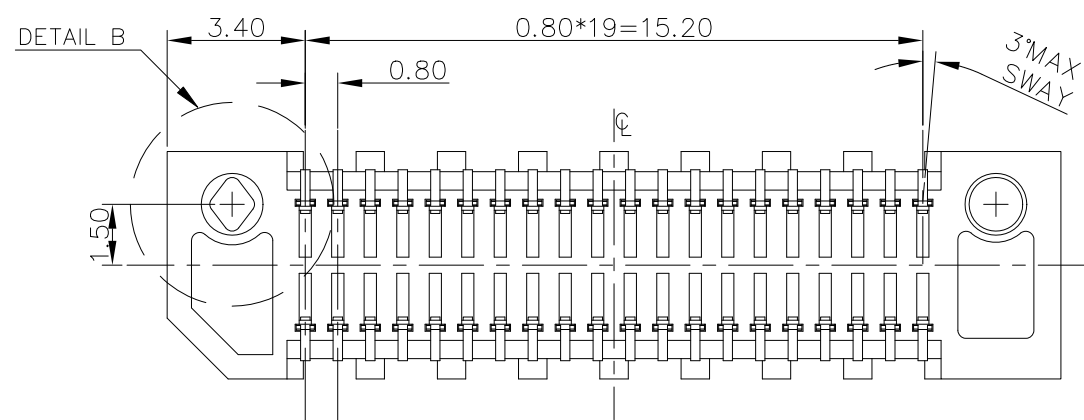
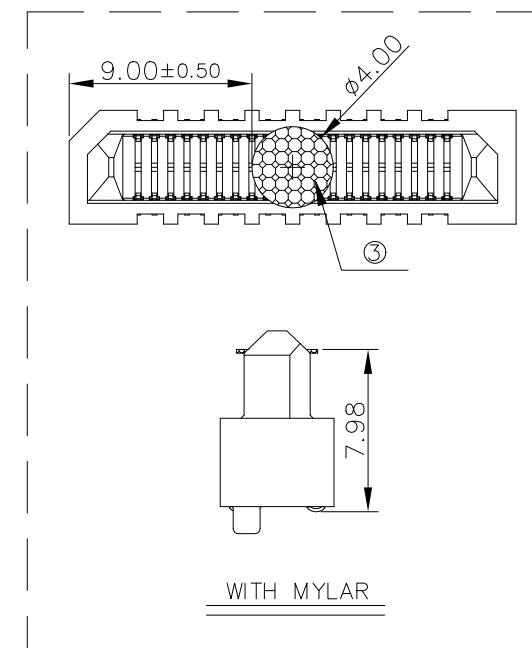
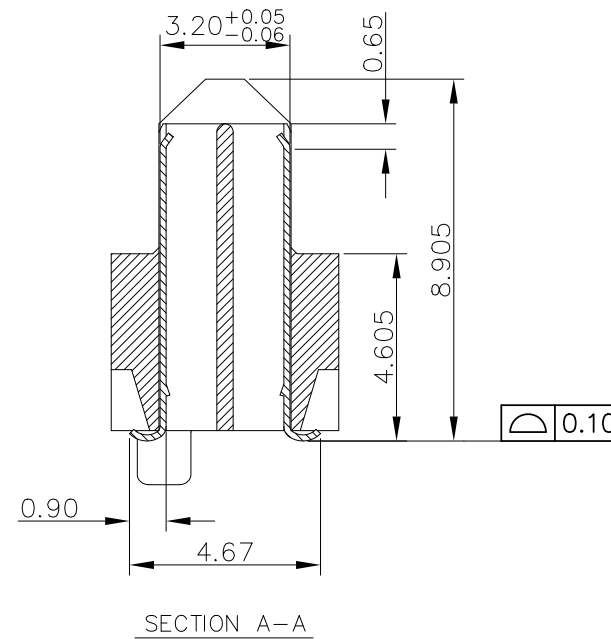
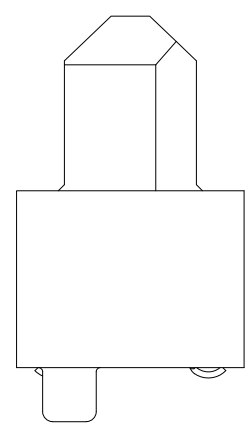
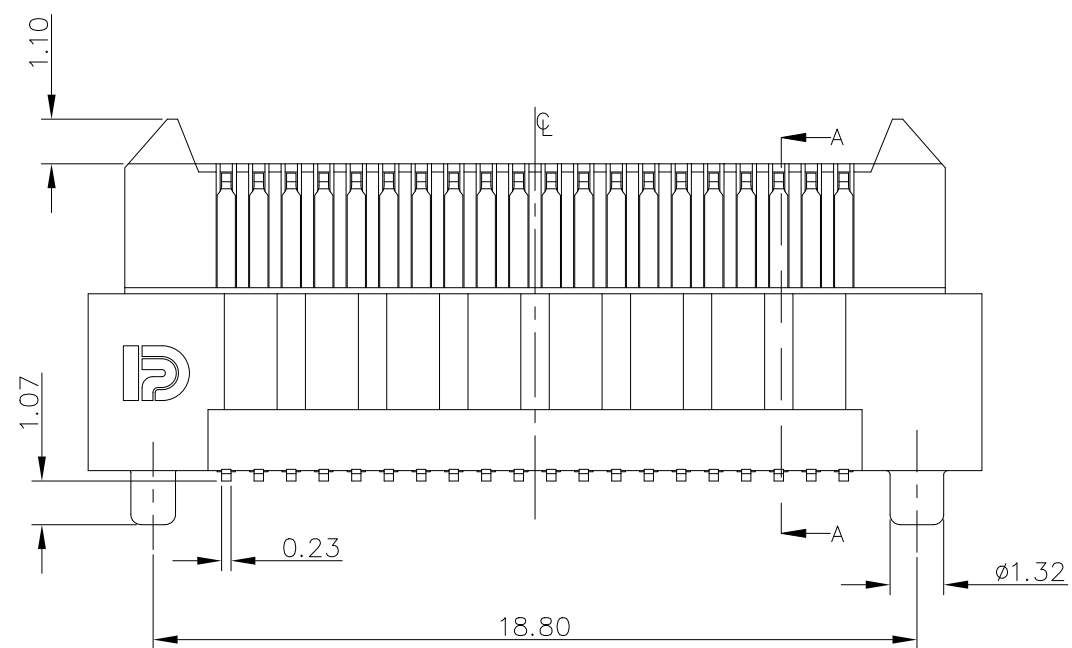
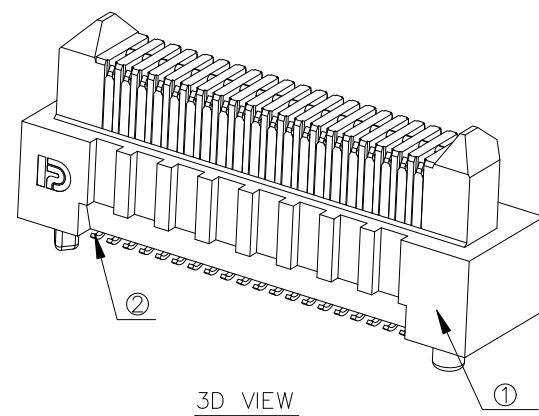
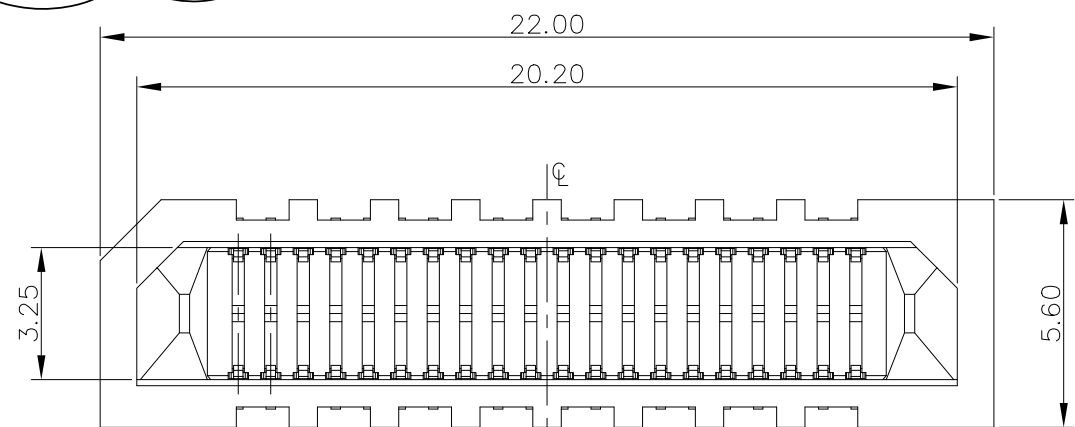


AUTOCAD GENERATED DRAWING, DON'T CHANGE BY HAND

RoHS HF

|      |              |           |
|------|--------------|-----------|
| REV. | ECN. NO.     | APPD.     |
| A    | ECN200518017 | River Yao |

- NOTE:
1. DIMENSION SHALL BE INTERPRETED PER ASME Y14.5M-1994.
  2. ELECTRICAL CHARACTERISTICS
    - 2.1 CONTACT CURRENT RATING: 0.5A D.C. MAX.,
    - 2.2 LOW LEVEL CONTACT RESISTANCE: 40 MILLIOHMS MAX.(INITIAL)  
60 MILLIOHMS MAX. AFTER PHYSICAL AND ENVIRONMENTAL TESTING.
    - 2.3 DIELECTRIC WITHSTANDING VOLTAGE: 500V AC FOR 1 MINUTE,
    - 2.4 INSULATION RESISTANCE: 100 MEGOHMS MIN;
  3. MECHANICAL CHARACTERISTICS
    - 3.1 CONTACT RETENTION FORCE: 2.22N MIN.
    - 3.2 OPERATING TEMPERATURE : -40°C TO +85°C.
    - 3.3 HARMFUL MATERIAL CONTROL MEET DQSP2014.

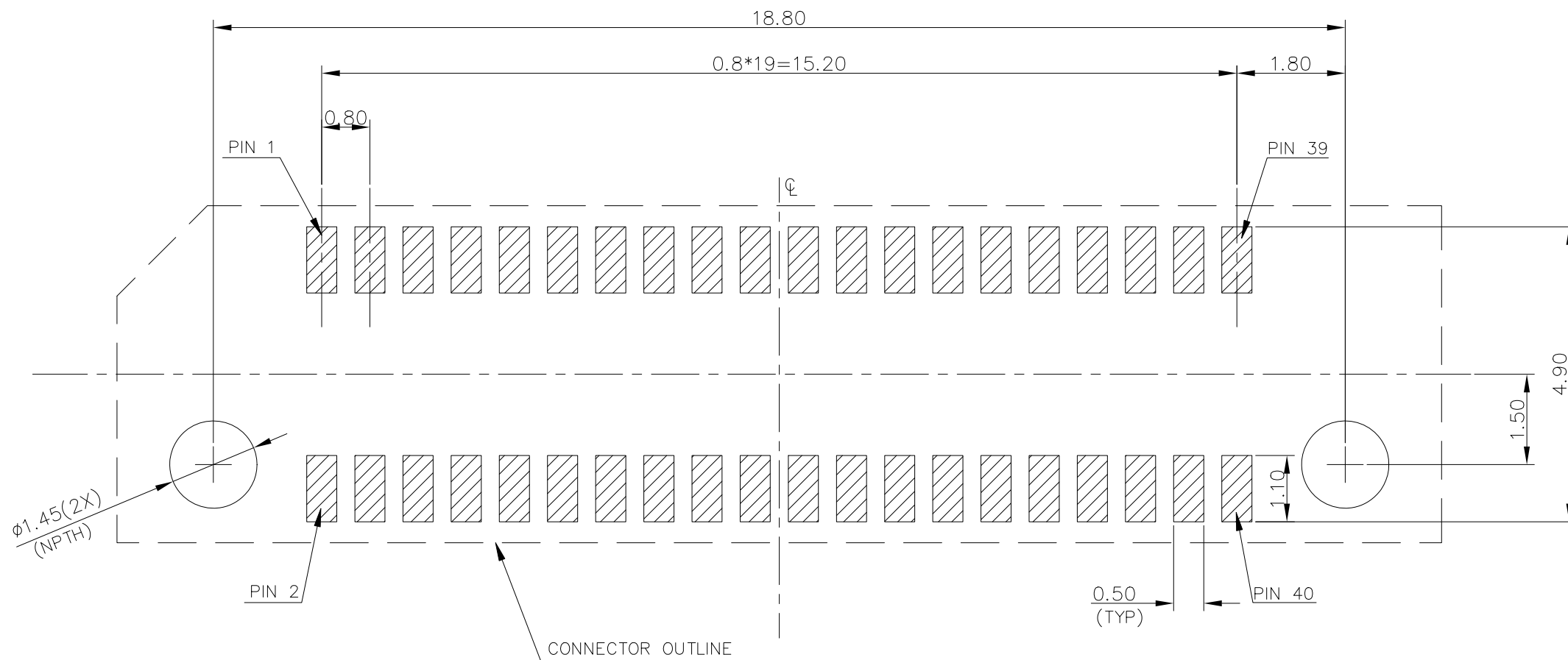


|      |             |      |  |
|------|-------------|------|--|
| ③    | MYLAR       | 1    | N/A  |
| ②    | CONTACT     | 40   | NICKEL UNDER PLATING<br>MATTE TIN PLATING ON TAIL AREA<br>10u" MIN. GOLD PLATING ON CONTACT AREA |
| ①    | HOUSING     | 1    | HIGHTEMP-PLASTIC, UL94V-0, COLOR: BLACK  |
| ITEM | DESCRIPTION | Q'TY | FINISH   |


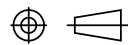
|                   |                   |             |  |   |
|-------------------|-------------------|-------------|--|---|
| UNITS:<br>mm      | GENERAL TOLERANCE |             | APPROVED:<br>River Yao                                 | PART NO.:<br>BT8P40A-89000-1H                       |
| DATE:<br>05/19'20 | X. ±0.30          | X.* ±5°     | CHECKED:<br>Wes Wu                                     | TITLE: CUSTOMER DRAWING<br>FOR 0.8P 40POS BTB CONN. |
| SCALE:<br>N/A     | .X ±0.25          | .X* ±3°     | DRAWING:<br>Zhao Xia                                   | DRAWING NO.:<br>820-0000-0844                       |
| SHEET:<br>1/3     | MATERIAL:<br>N/A  | Q'TY<br>N/A | <br>Highstar<br>Drapho ELECTRONICS TECHNOLOGY CO., LTD |   |
| REV.<br>A         | FINISH:<br>N/A    |             |  |   |

RoHS HF

|      |          |       |
|------|----------|-------|
| REV. | ECN. NO. | APPD. |
|      |          |       |



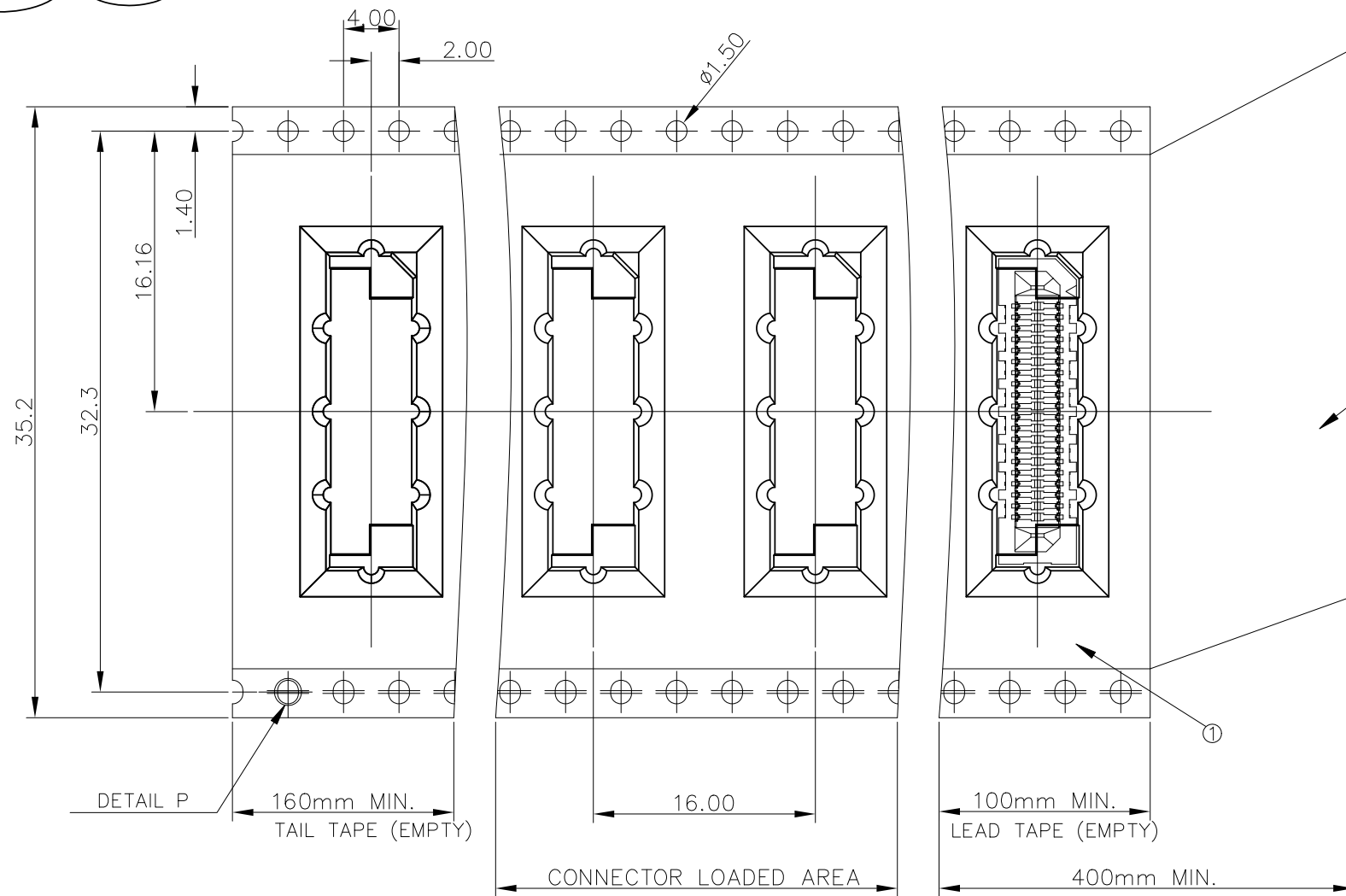
RECOMMENDED PCB LAYOUT

|                   |                   |   |   |   |
|-------------------|-------------------|---|---|---|
| UNITS:<br>mm      | GENERAL TOLERANCE |   | APPROVED:<br>River Yao  | PART NO.:<br>BT8P40A-89000-1H                       |
| DATE:<br>05/19'20 | X. ±0.20          | X.* ±5°   | CHECKED:<br>Wes Wu  | TITLE: CUSTOMER DRAWING<br>FOR 0.8P 40POS BTB CONN. |
| SCALE:<br>N/A     | .X ±0.10          | .X* ±3°   | DRAWING:<br>Zhao Xia  | DRAWING NO.:<br>820-0000-0844                       |
| SHEET:<br>2/3     | MATERIAL:<br>N/A  | Q'TY<br>N/A   |  <b>Highstar</b><br>Drapho ELECTRONICS TECHNOLOGY CO., LTD |   |
| REV.<br>A         | FINISH:<br>N/A    |  |   |   |

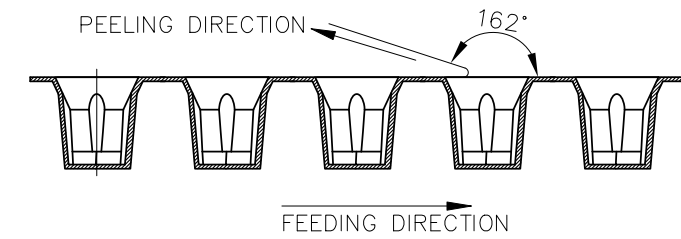
AUTOCAD GENERATED DRAWING, DON'T CHANGE BY HAND

RoHS HF

|      |          |       |
|------|----------|-------|
| REV. | ECN. NO. | APPD. |
|      |          |       |

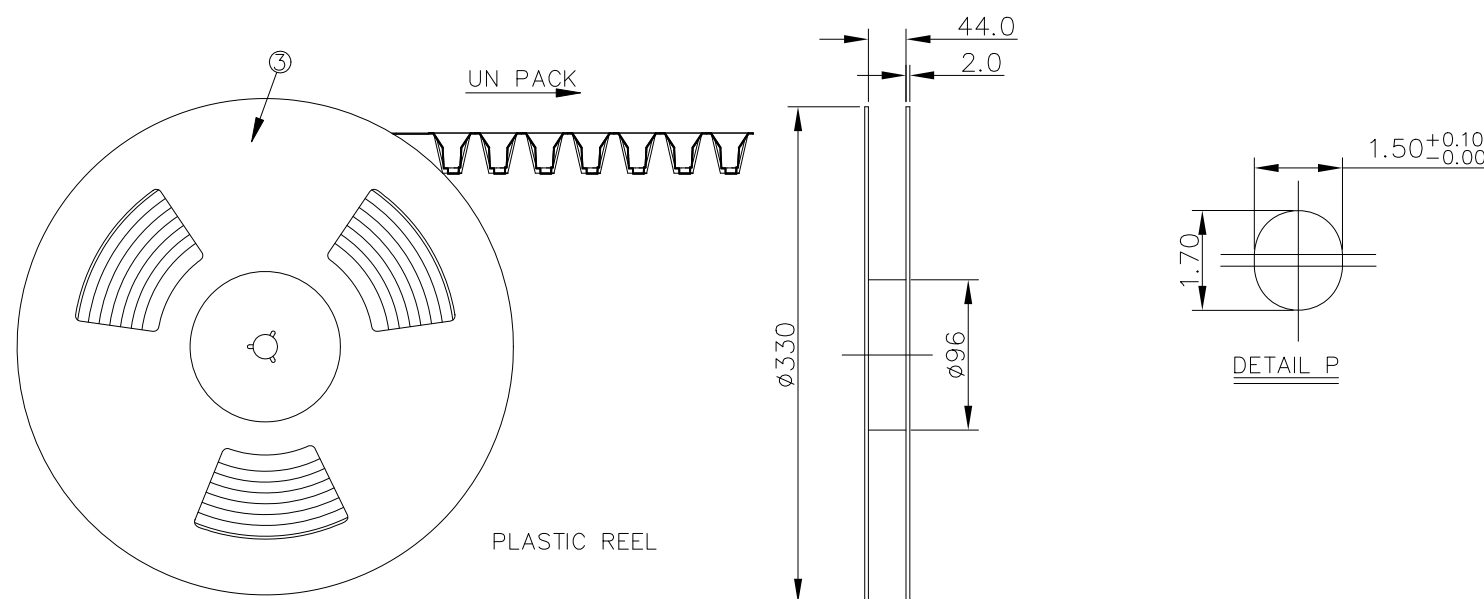


NOTES:  
 1. 10 PITCHES CUMULATIVE TOLERANCE ON TAPE IS  $\pm 0.20$ mm;  
 2. COVER TAPE PEELING STRENGTH : 0.13Kgf MAX. AT 300mm/MINUTE;



3. PACKAGING CAPACITY:

| P/N              | PCS/REEL | REEL/BOX | PCS/BOX |
|------------------|----------|----------|---------|
| BT8P40A-89000-1H | 300      | 4        | 1200    |



|      |              |             |
|------|--------------|-------------|
| ③    | REEL         | POLYSTYRENE |
| ②    | COVER TAPE   | POLYESTER   |
| ①    | CARRIER TAPE | POLYSTYRENE |
| ITEM | DESCRIPTION  | MATERIAL    |

|                   |   |   |   |
|-------------------|---|---|---|
| UNITS:<br>mm      | GENERAL TOLERANCE   | APPROVED:<br>River Yao  | PART NO.:<br>BT8P40A-89000-1H   |
| DATE:<br>05/19'20 | X. $\pm 0.30$<br>.X $\pm 0.25$<br>.XX $\pm 0.20$            | CHECKED:<br>Wes Wu  | TITLE: CUSTOMER DRAWING<br>FOR 0.8P 40POS BTB CONN.   |
| SCALE:<br>N/A     | X* $\pm 5^\circ$<br>.X* $\pm 3^\circ$<br>.XX* $\pm 2^\circ$ | DRAWING:<br>Zhao Xia  | DRAWING NO.:<br>820-0000-0844   |
| SHEET:<br>3/3     | MATERIAL:<br>N/A  | Q'TY<br>N/A   |  <b>Highstar</b><br>Drapho ELECTRONICS TECHNOLOGY CO., LTD |
| REV.<br>A         | FINISH:<br>N/A  |  |   |