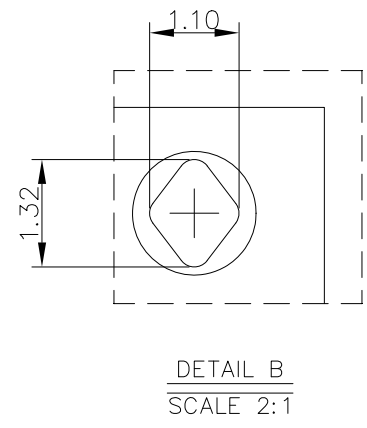
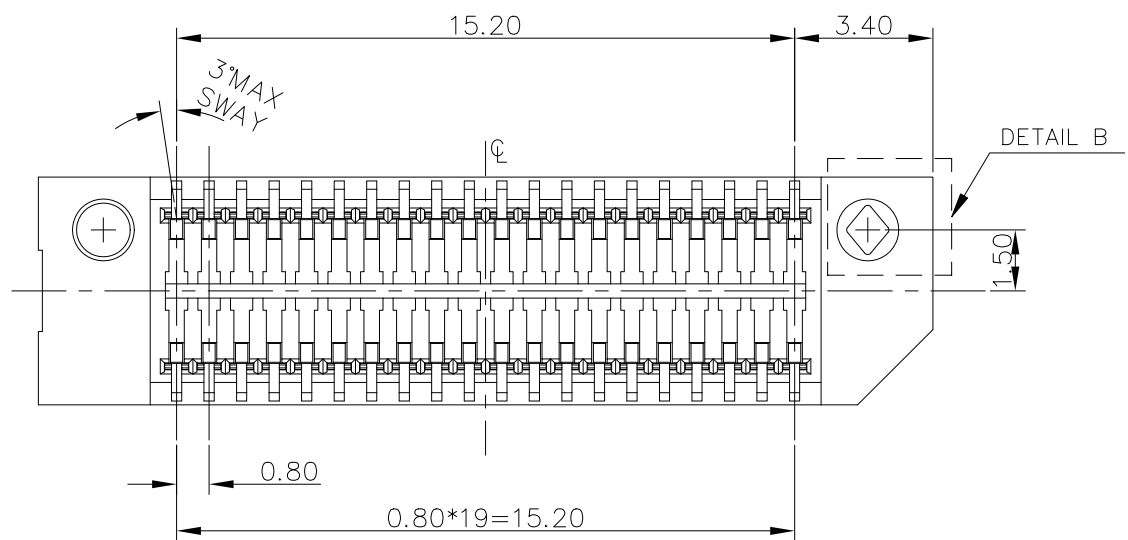
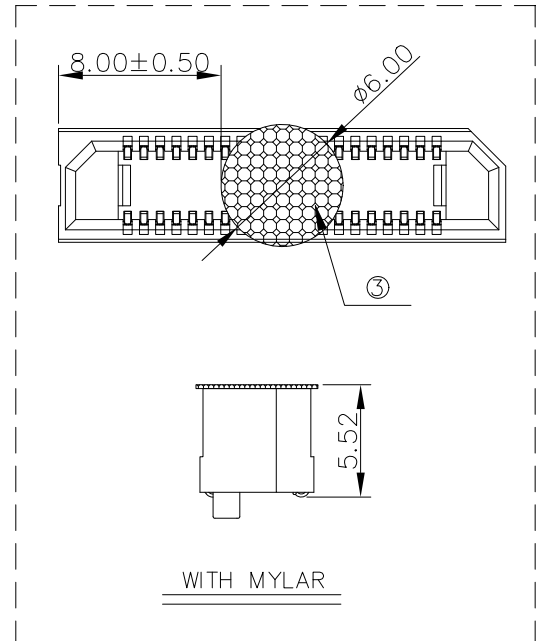
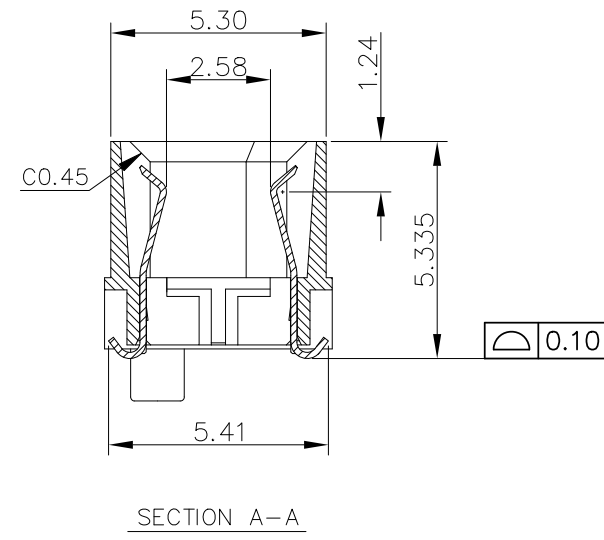
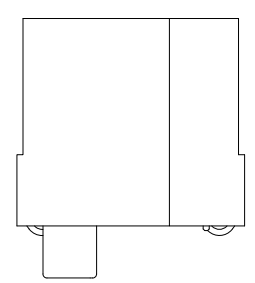
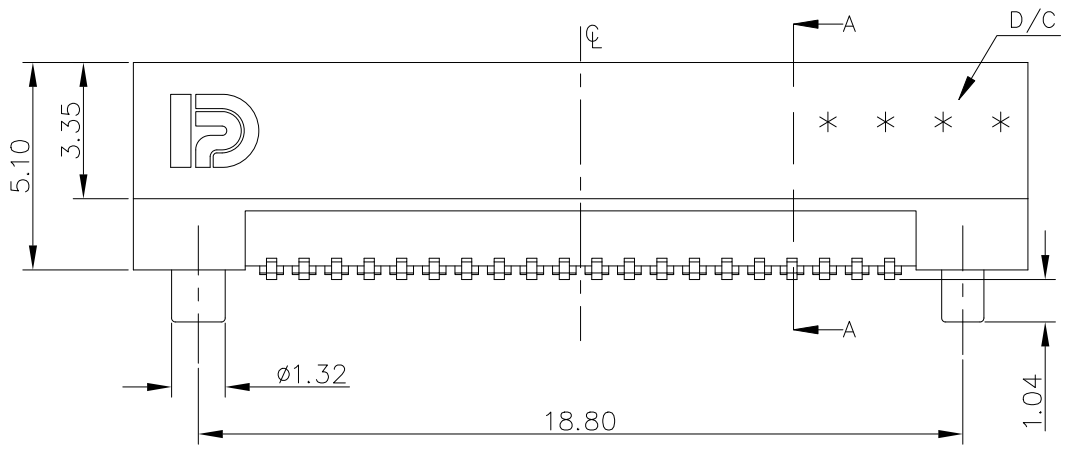
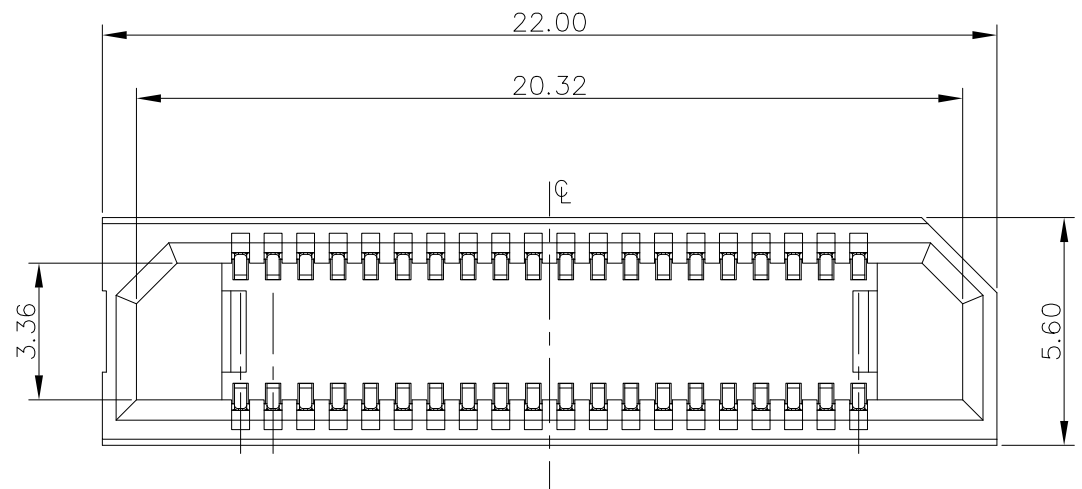
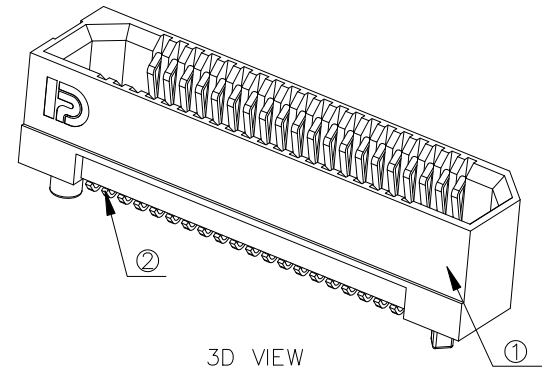


AUTOCAD GENERATED DRAWING, DON'T CHANGE BY HAND


RoHS HF

REV.	ECN. NO.	APPD.
A	ECN200518024	River Yao

NOTE:
 1. DIMENSION SHALL BE INTERPRETED PER ASME Y14.5M-1994.
 2. ELECTRICAL CHARACTERISTICS
 2.1 CONTACT CURRENT RATING: 0.5A D.C. MAX.,
 2.2 LOW LEVEL CONTACT RESISTANCE: 40 MILLIOHMS MAX. (INITIAL)
 60 MILLIOHMS MAX. AFTER PHYSICAL AND ENVIRONMENTAL TESTING.
 2.3 DIELECTRIC WITHSTANDING VOLTAGE: 500V AC FOR 1 MINUTE,
 2.4 INSULATION RESISTANCE: 100 MEGOHMS MIN;
 3. MECHANICAL CHARACTERISTICS
 3.1 CONTACT RETENTION FORCE: 2.22N MIN.
 4. OPERATING TEMPERATURE : -40°C TO +85°C.
 5. HARMFUL MATERIAL CONTROL MEET DQSP2014.

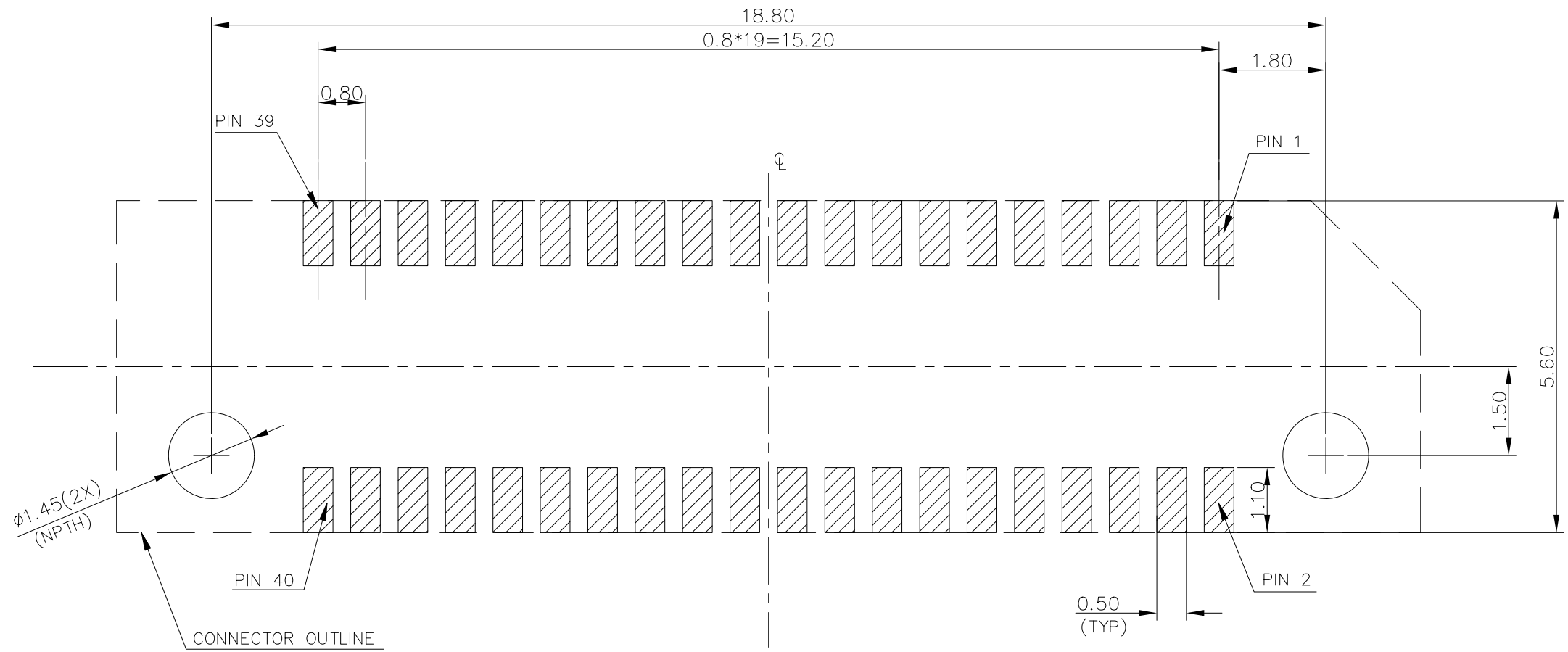


③	MYLAR	1	N/A
②	CONTACT	40	NICKEL UNDER PLATING MATTE TIN PLATING ON TAIL AREA 10u" MIN. GOLD PLATING ON CONTACT AREA
①	HOUSING	1	HIGHTEMP-PLASTIC, UL94V-0, COLOR:BLACK
ITEM	DESCRIPTION	Q'TY	FINISH


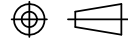
UNITS: mm	GENERAL TOLERANCE		APPROVED: River Yao	PART NO.:
DATE: 04/19'20	X. ±0.30	X.* ±5°	CHECKED: Wes Wu	TITLE: CUSTOMER DRAWING FOR 0.8P 40POS BTB CONN.
SCALE: N/A	.X ±0.25	.X* ±3°	DRAWING: Zhao Xia	DRAWING NO.:
SHEET: 1/3	MATERIAL: N/A	Q'TY N/A	820-0000-0845	
REV. A	FINISH: N/A	⊕	 Highstar Drapho ELECTRONICS TECHNOLOGY CO., LTD	

RoHS HF

REV.	ECN. NO.	APPD.



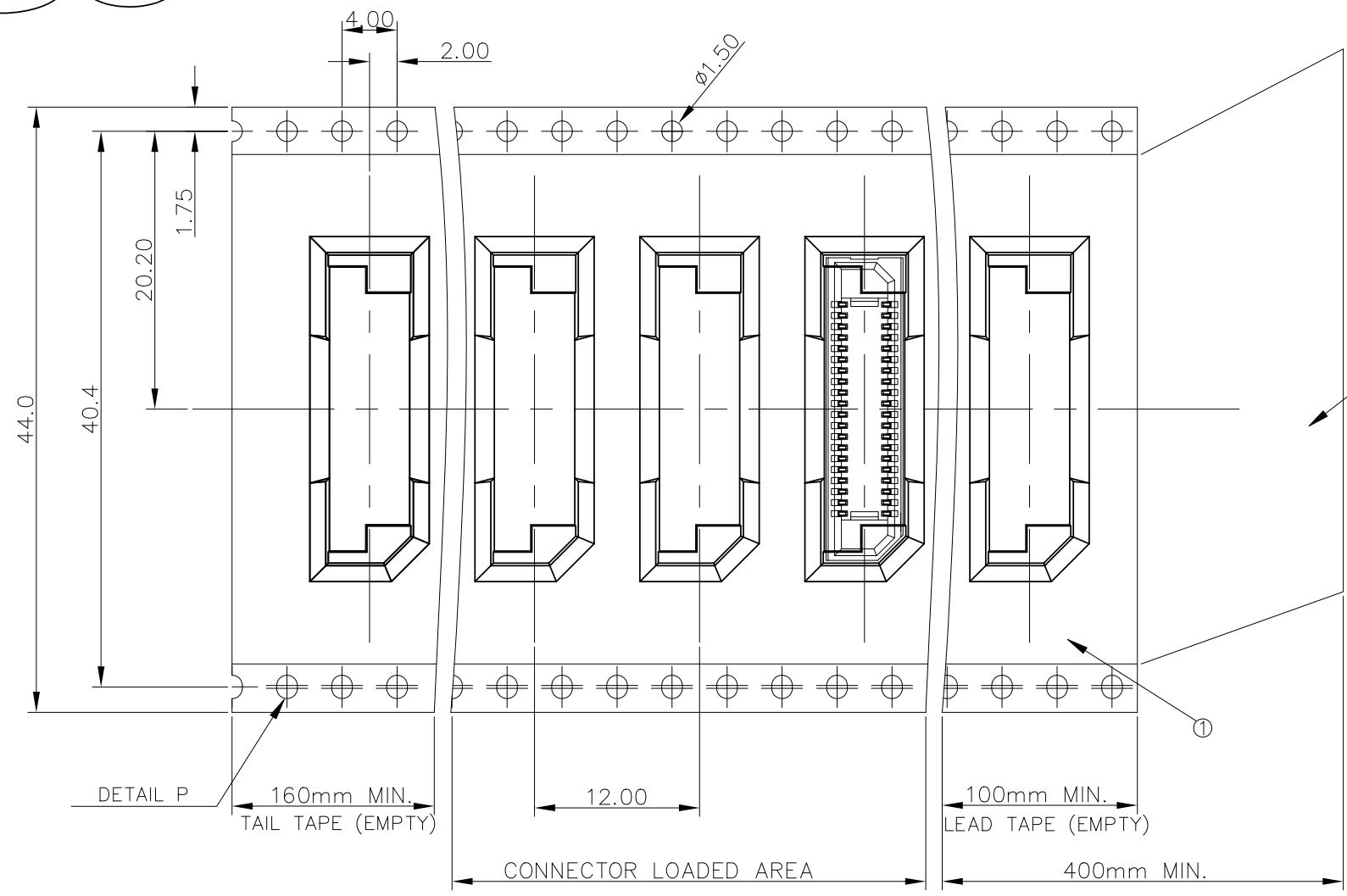
RECOMMENDED PCB LAYOUT

UNITS: mm	GENERAL TOLERANCE		APPROVED: River Yao	PART NO.: BT8S40A-53000-1H
DATE: 04/19'20	X. ±0.30	X.* ±5°	CHECKED: Wes Wu	TITLE: CUSTOMER DRAWING FOR 0.8P 40POS BTB CONN.
SCALE: N/A	.X ±0.25	.X* ±3°	DRAWING: Zhao Xia	DRAWING NO.: 820-0000-0845
SHEET: 2/3	MATERIAL: N/A	Q'TY N/A	 Highstar Drapho ELECTRONICS TECHNOLOGY CO., LTD	
REV. A	FINISH: N/A			

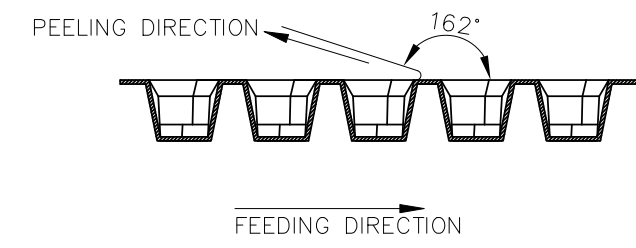
AUTOCAD GENERATED DRAWING, DON'T CHANGE BY HAND

RoHS HF

REV.	ECN. NO.	APPD.

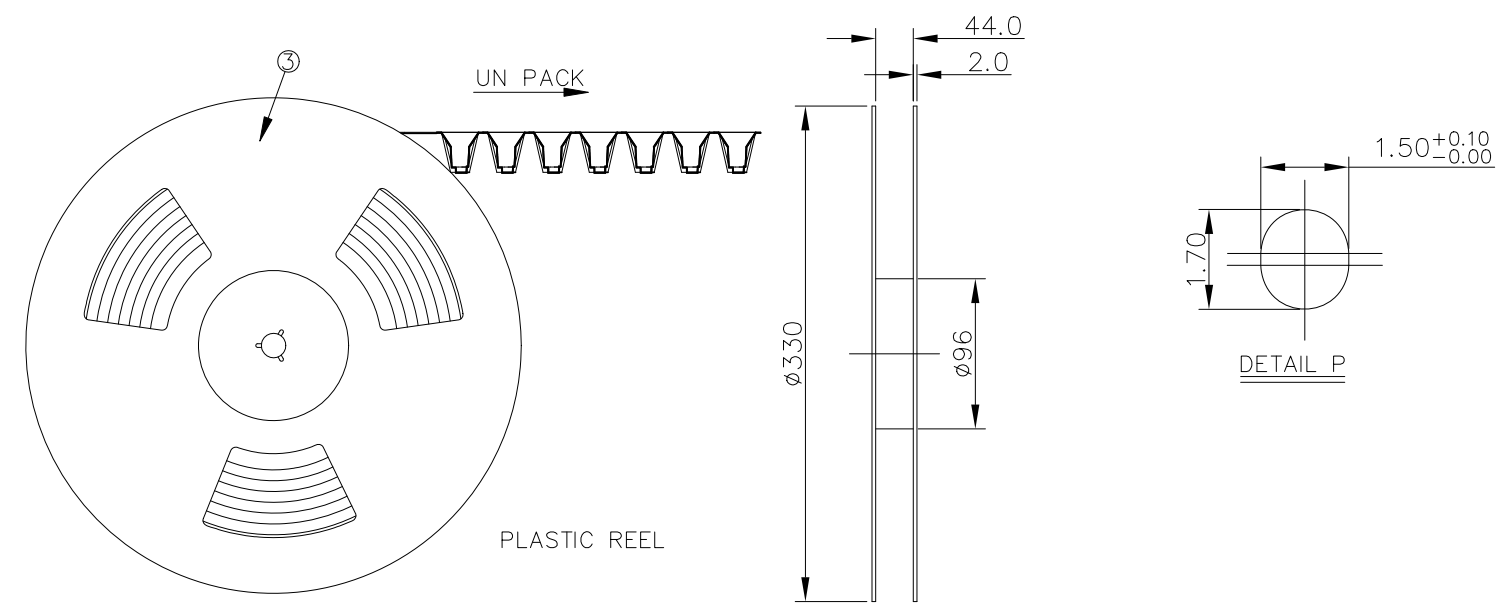


NOTES:
 1. 10 PITCHES CUMULATIVE TOLERANCE ON TAPE IS ± 0.20 mm;
 2. COVER TAPE PEELING STRENGTH : 0.13Kgf MAX. AT 300mm/MINUTE;



3. PACKAGING CAPACITY:

P/N	PCS/REEL	REEL/BOX	PCS/BOX
BT8S40A-53000-1H	700	4	2800



③	REEL	POLYSTYRENE
②	COVER TAPE	POLYSTER
①	CARRIER TAPE	POLYSTYRENE
ITEM	DESCRIPTION	MATERIAL

UNITS: mm	GENERAL TOLERANCE		APPROVED: River Yao	PART NO.: BT8P40A-89000-1H
DATE: 04/19'20	X. ± 0.30	X.° $\pm 5^\circ$	CHECKED: Wes Wu	TITLE: CUSTOMER DRAWING FOR 0.8P 40POS BTB CONN.
SCALE: N/A	.X ± 0.25	.X° $\pm 3^\circ$	DRAWING: Zhao Xia	DRAWING NO.: 820-0000-0845
SHEET: 3/3	MATERIAL: N/A	Q'TY N/A	Highstar Drapho ELECTRONICS TECHNOLOGY CO., LTD	
REV. A	FINISH: N/A			