

NOTES:
 1.10 PITCHES CUMULATIVES TOLERANCE ON TAPE IS +/-0.20mm;
 2.COVER TAPE PEELING STRENGTH :0.13kgf MAX. AT 300mm/MINUTE;

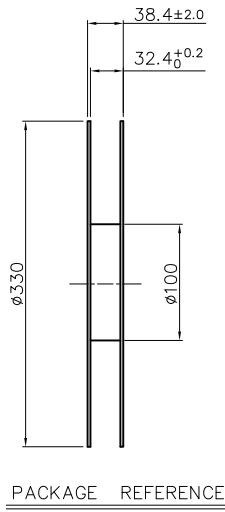
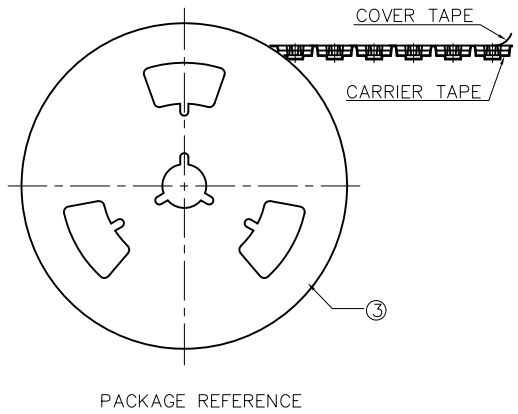
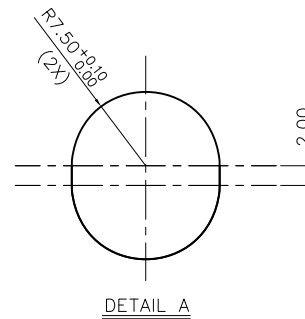
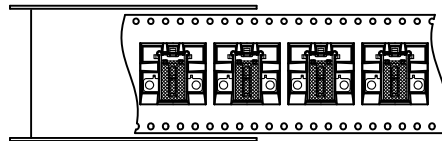


3.PACKAGING CAPACITY:

P/N	PCS/REEL	REEL/BOX	PCS/BOX
PJSS0026-9B01H	520	8	4160

DETAIL A
 160mm MIN TAIL TAPE(EMPTY)
 CONNECTOR LOADED (520PCS)
 100mm MIN LEAD TAPE(EMPTY)
 COEVR TAPE 400mm MIN

FEEDING DIRECTION
 (AFTER COMPONENT LOAD)



③	REEL	POLYSTYRENE
②	COVER TAPE	POLYSTER
①	CARRIER TAPE	POLYSTYRENE
ITEM	DESCRIPTION	MATERIAL

UNITS: mm	GENERAL TOLERANCE		APPROVED: Darren Lei	PART NO.: PJSS0026-9B01H
DATE: 07/05/18	X. ±0.20 .X ±0.15	X.* ±3* .X* ±2*	CHECKED: Mike Wu	TITLE: CUSTOMER DRAWING FOR DC IN JACK
SCALE: N/A	.XX ±0.10		DRAWING: Fei.Liu	DRAWING NO.: 820-0000-0318
SHEET: 2/2	MATERIAL: N/A	Q'TY N/A	Highstar Drapho ELECTRONICS TECHNOLOGY CO., LTD	
REV. D	FINISH: N/A			