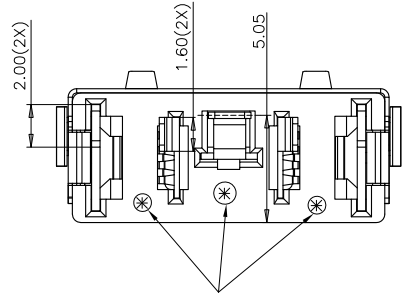
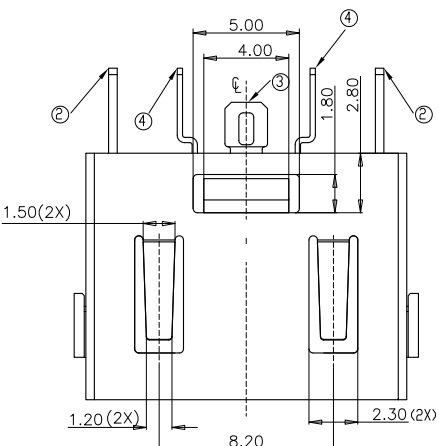
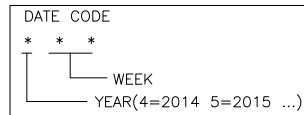


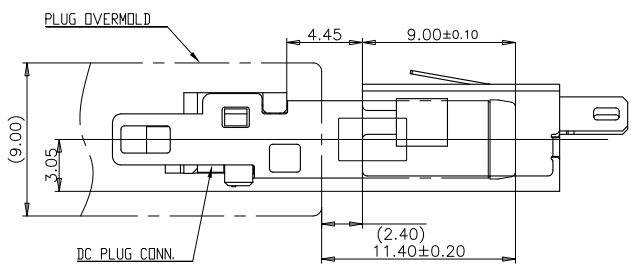
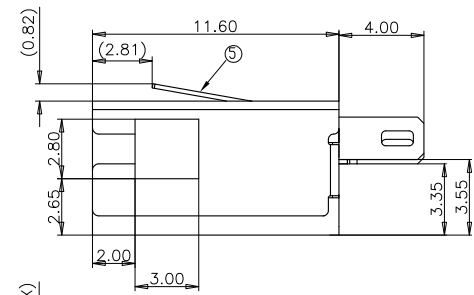
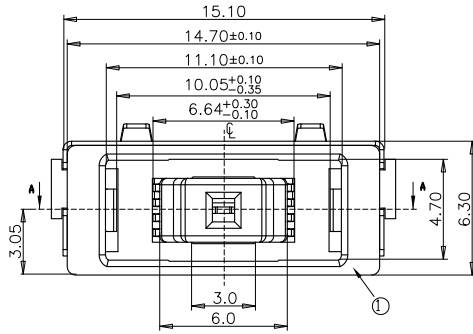
AUTOCAD GENERATED DRAWING, DON'T CHANGE BY HAND

REV.	ECN. NO.	APPD.
A	ECN130218005	Tommy Zhang
B	ECN140624005	Fan Fang
C	ECN151209001	Fan Fang

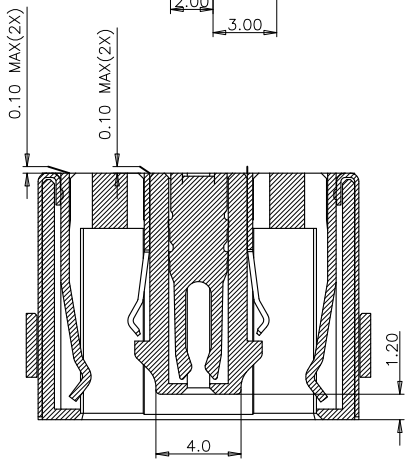
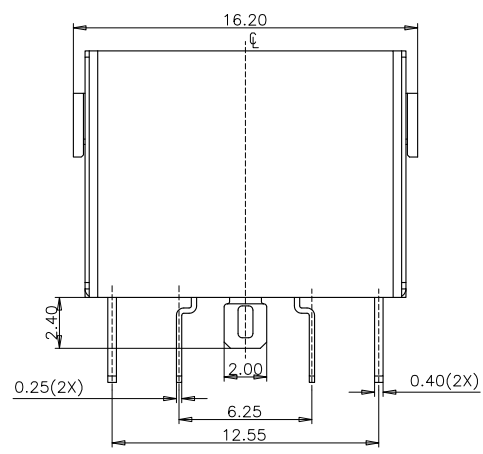
NOTES:
 1.MATERIAL: SEE TABLE.
 2.ELECTRICAL PERFORMANCES:
 2-1.VOLTAGE RATINGS: 25V DC MAX.
 2-2.CURRENT RATINGS: SEE TABLE POR POWER CONTACT
 1A MAX PER DETECT CONTACT
 2-3.LOW LEVEL CONTACT RESISTANCE:
 (1). GROUND CONTACT 7 mΩ MAX. INITIAL,
 10mΩ MAX, FINAL.
 (2). DETECT CONTACT 10 mΩ MAX. INITIAL,
 ΔR=10mΩ MAX, FINAL.
 (3). POWER CONTACT 7 mΩ MAX. INITIAL,
 ΔR=10mΩ MAX, FINAL.
 2-4.INSULATION RESISTANCE: 500 MΩ MIN.
 2-5.DIELECTRIC WITHSTANDING VOLTAGE:
 SUBJECT A VOLTAGE OF 150V rms FOR 1
 MINUTE BETWEEN ADJACENT CONTACTS
 3.MECHANICAL PERFORMANCES:
 3-1.MATING FORCE: 3.0Kgf MAX.
 3-2.UNMATING FORCE: 0.7Kgf MIN.
 3-3.DURABILITY: 5000 CYCLES.
 4.G.P PASSED ACCORD WITH RoHS STANDARD.
 5.ENVIRONMENTAL CHARACTERISTICS:
 OPERATING TEMPERATURE -40°C TO 85°C



DATE CODE
 BACK VIEW



MATING CONDITION

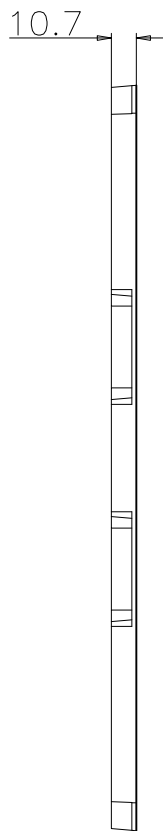
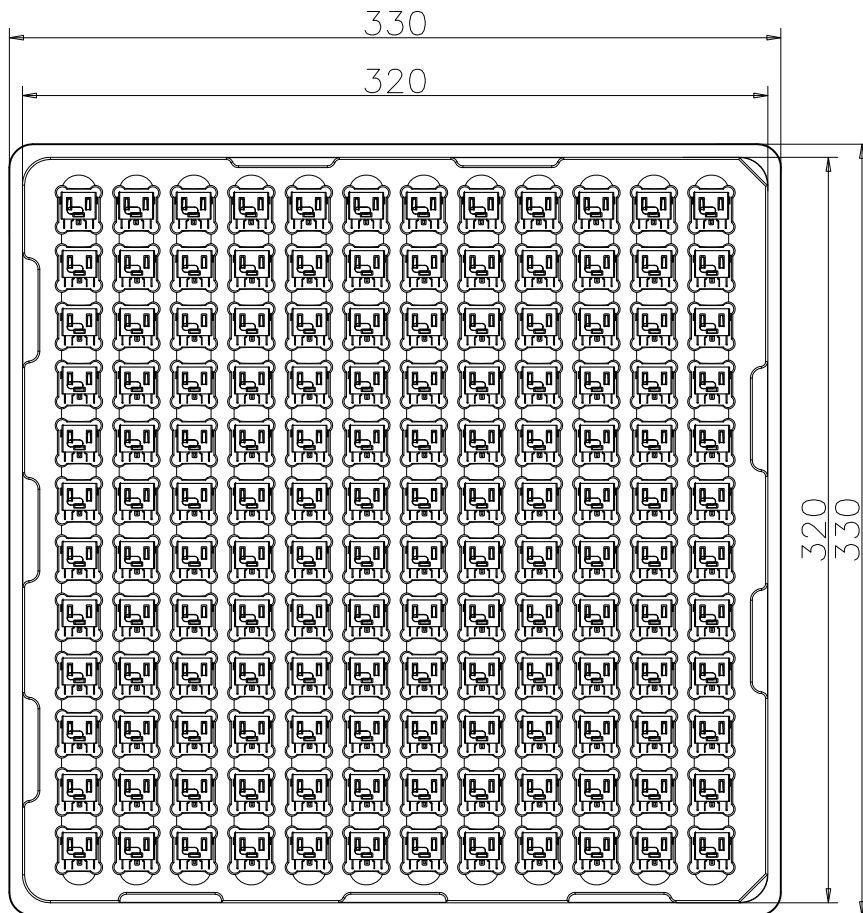


SECTION A-A

Q'TY	NAME	MATERAIL	FINISH	ITEM NO.
1	SHELL	COPPER ALLOY	1: 80u" MIN. BLACK NICKEL UNDER PLATING FOR PJCS0056-BB02H-C; 2: 80u" MIN. BLACK NICKEL UNDER PLATING FOR OTHER PARTS;	⑤
2	POWER CONTACT	COPPER ALLOY	80u" MIN. NICKEL UNDER PLATING; 8u" MIN. GOLD PLATING ON CONTACT AREA; 80u" MIN. MATTE TIN PLATING ON SOLDER AREA.	④
1	DETECT CONTACT	COPPER ALLOY	80u" MIN. NICKEL UNDER PLATING; 8u" MIN. GOLD PLATING ON CONTACT AREA; 80u" MIN. MATTE TIN PLATING ON SOLDER AREA.	③
2	GROUND CONTACT	COPPER ALLOY	80u" MIN. NICKEL UNDER PLATING; 8u" MIN. GOLD PLATING ON CONTACT AREA; 80u" MIN. MATTE TIN PLATING ON SOLDER AREA.	②
1	HOUSING	HIGHTEMP-PLASTIC	UL94V-0	①



UNITS: mm	GENERAL TOLERANCE	APPROVED: Fan Fang	PART NO.: PJCS0056-**02H-C
DATE: 12/08/15	X: ±0.50 .X ±0.30 .XX ±0.20	CHECKED: Darren Lei	TITLE: CUSTOMER DRAWING
SCALE: N/A	.XX ±0.20 .XX*	DRAWING: ZP Liu	DRAWING NO.: 820-0000-046
SHEET: 1/2	MATERIAL:		Highstar
REV. C	FINISH:		



PJCS0056-***2H-C

- C:CABLE TYPE
- S:RECEPTACLE
- CONTACT PLATING:
6: GOLD 8u"MIN
- HALOGEN/LEAD FREE
- PACKAGE CODE:TRAY
- CURRENT RATINGS:
0:7A MAX TWO POWER CONTACT
1:8.5A MAX TWO POWER CONTACT
- COLOR: B=BLACK
O=YELLOW 107C
- PLATING SPECIFICATION:
R=PLATING NICKEL
B=PLATING BLACK NICKEL

P/N	PCS/TRAY	TRAY/BOX	PCS/BOX	CURRENT RATINGS PER TWO POWER CONTACT
PJCS0056-RB02H-C	144	25	3600	7A
PJCS0056-BB02H-C	144	25	3600	
PJCS0056-R002H-C	144	25	3600	
PJCS0056-R012H-C	144	25	3600	8.5A



UNITS: mm	GENERAL TOLERANCE		APPROVED: Fan Fang	PJCS0056-**02H-C
DATE: 12/08'15	X: ±0.50	X*: ±2*	CHECKED: Darren Lei	TITLE: CUSTOMER DRAWING
SCALE: N/A	.X ±0.30	.X* ±1*	DRAWING: ZP Liu	DRAWING NO.: 820-0000-046
SHEET: 2/2	MATERIAL:	Q'TY	Highstar Drapho ELECTRONICS TECHNOLOGY CO., LTD	
REV. C	FINISH:			