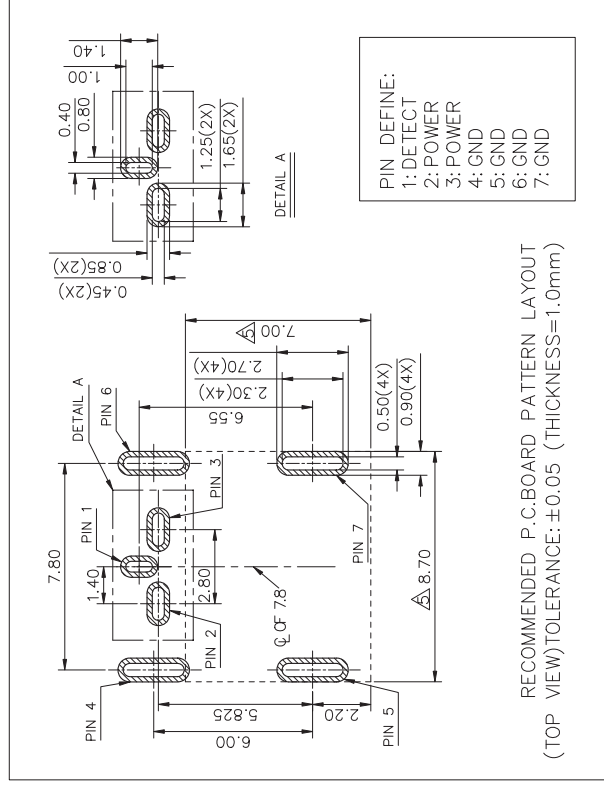
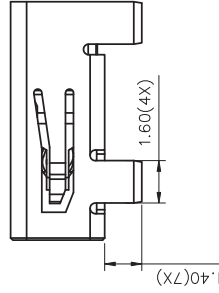
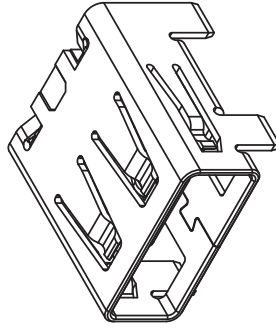
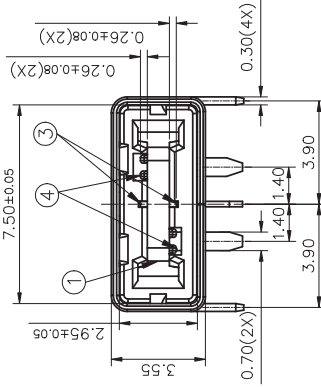
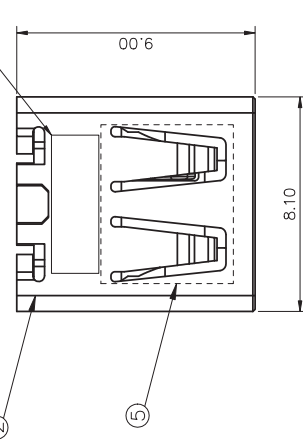


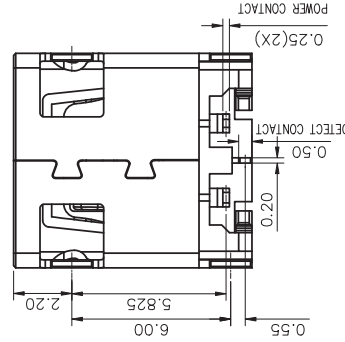
DATE CODE \triangleleft



PIN DEFINE:
 1: DETECT
 2: POWER
 3: POWER
 4: GND
 5: GND
 6: GND
 7: GND

RECOMMENDED P.C-BOARD PATTERN LAYOUT
 (TOP VIEW) TOLERANCE: ±0.05 (THICKNESS=1.0mm)

- NOTES:
- MATERIAL: SEE TABLE.
 - ELECTRICAL PERFORMANCES:
 2-1.VOLTAGE RATINGS: 12V DC MAX.
 2-2.CURRENT RATINGS: 2.5A MAX PER POWER CONTACT
 0.5A MAX PER DETECT CONTACT
 2-3.LOW LEVEL CONTACT RESISTANCE:
 (1). GROUND CONTACT 7 mΩ MAX. INITIAL,
 10mΩ MAX. FINAL.
 (2). DETECT CONTACT 30 mΩ MAX. INITIAL,
 ΔR=10mΩ MAX. FINAL.
 (3). POWER CONTACT 30 mΩ MAX. INITIAL,
 ΔR=10mΩ MAX. FINAL.
 2-4.INSULATION RESISTANCE: 500 MΩ MIN.
 2-5.DIELECTRIC WITHSTANDING VOLTAGE:
 SUBJECT A VOLTAGE OF 150V rms FOR 1
 MINUTE BETWEEN ADJACENT CONTACTS PER
 3.MECHANICAL PERFORMANCES:
 3-1.MATING FORCE: 3.0Kgf MAX.
 3-2.UNMATING FORCE: 0.7Kgf MIN.
 3-3.DURABILITY: 5000 CYCLES.
 4.HARMFUL MATERIAL CONTROL SHOULD MEET DOCUMENT "DSQC0042"
 5.PATTERN PROHIBITION AREA
 6.PRINT DATE CODE AREA



1	MYLAR	POLYIMIDE	⑤
2	POWER CONTACT	COPPER ALLOY	④
2	DETECT CONTACT	COPPER ALLOY	③
2	GROUND CONTACT (SHELL)	COPPER ALLOY	②
1	HOUSING	HIGHTEMP-PLASTIC	①
Q'TY	NAME	MATERIAL	FINISH
UNITS: mm	GENERAL TOLERANCE	APPROVE: Fan Fang	PART NO.: PJS0056-3001H
DATE: 5/21/14	X: ±0.50	CHECKED: Walker Zhao	TITLE: CUSTOMER DRAWING
SCALE: XX ±0.20	.X' ±1'	DRAWING: White mao	DRAWING NO.: 820-0000-0136
SHEET: N/A	MATERIAL: Q'TY	REV. 1/2	FINISH:



Highstar
 Drapho ELECTRONICS TECHNOLOGY CO., LTD

Drapho Electronics Technology Co., Ltd
 DCC ISSUE
 2014.06.07
 文管发行

A

B

C

D

E

7

6

5

4

3

2

1

7

6

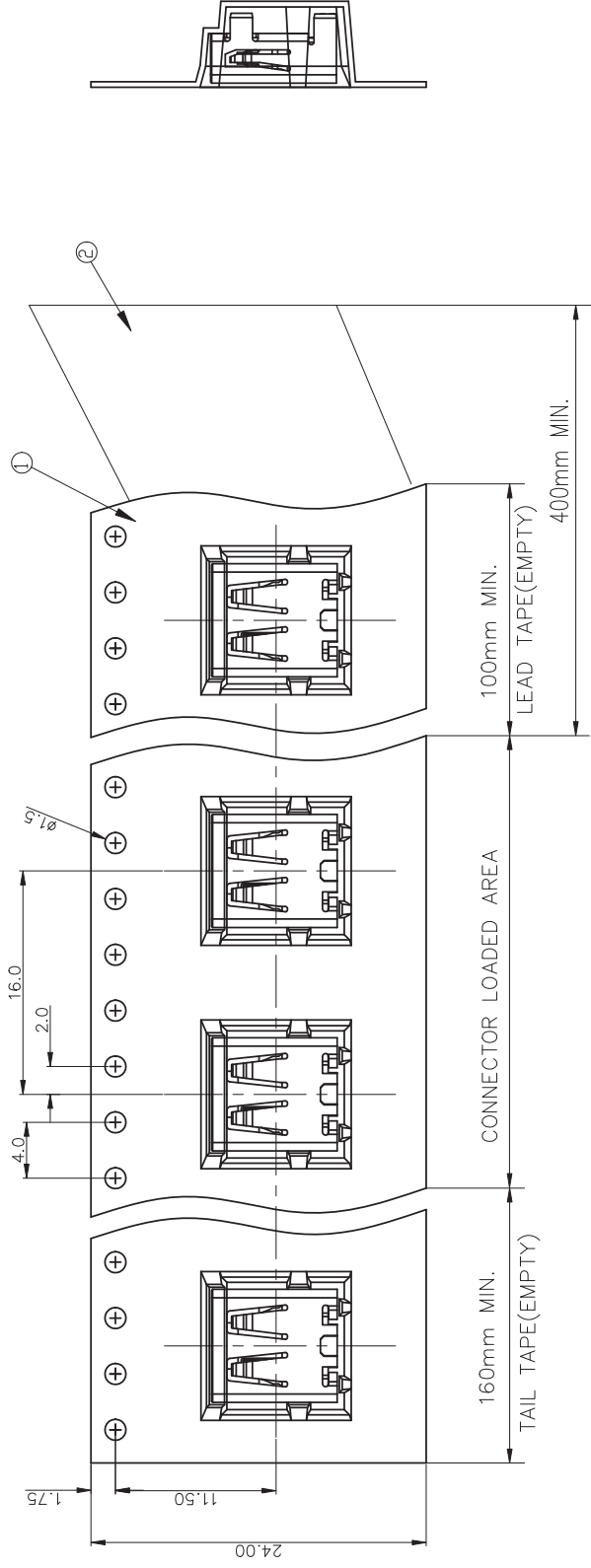
5

4

3

2

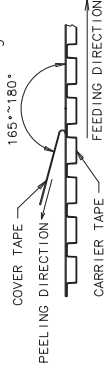
1



Drapho Electronics Technology Co., Ltd
 DCC ISSUE
 2014.06.07
 文管发行

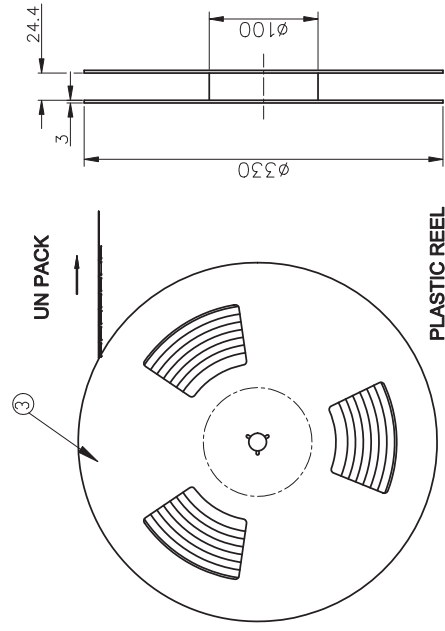
NOTES:

1. CARRIER TAPE MATERIAL: THERMOPLASTIC ANTI-STATIC FILM OR EQUIVALENT
THICKNESS: 0.40±0.05MM; COLOR: TRANSPARENT.
2. COVER TAPE MATERIAL : CONDUCTIVE COVER TAPE OR EQUIVALENT;
3. PLASTIC REEL MATERIAL: PS,COLOR:BLUE;
4. PEEL STRENGTH REQUIREMENT OF COVER TAPE TO COMPLY WITH EIA-481;
5. ALL TAPE AND SPROCKET HOLE DIMENSIONS SHOWN ARE PER EIA-481;
6. COVER TAPE PEELING STRENGTH:0.13kgf MAX. AT 300mm/Min.



7. PACKAGING CAPACITY:

P/N	PCS/REEL	REEL/BOX	PCS/BOX
PJSS0056-3001H	750	7	5250



ITEM	DESCRIPTION	MATERIAL
③	REEL	POLYSTYRENE
②	COVER TAPE	POLYESTER
①	CARRIER TAPE	POLYSTYRENE

UNITS:	GENERAL TOLERANCE	APPROVE:
mm		Fan Fang
DATE:	X: ±0.50	CHECKED:
5/21/14	.X: ±1*	Walker Zhao
SCALE:	.XX ±0.30	DRAWING:
N/A	.XX ±0.20	White mao
SHEET:	MATERIAL: Q'TY	
2/2	FINISH:	
REV. A		

REEL	PART NO.:
POLYSTYRENE	PJSS0056-3001H
CARRIER TAPE	TITLE:
POLYESTER	CUSTOMER DRAWING
CARRIER TAPE	DRAWING NO.:
POLYSTYRENE	820-0000-0136
DESCRIPTION	
MATERIAL	



Highstar
Drapho ELECTRONICS TECHNOLOGY CO., LTD