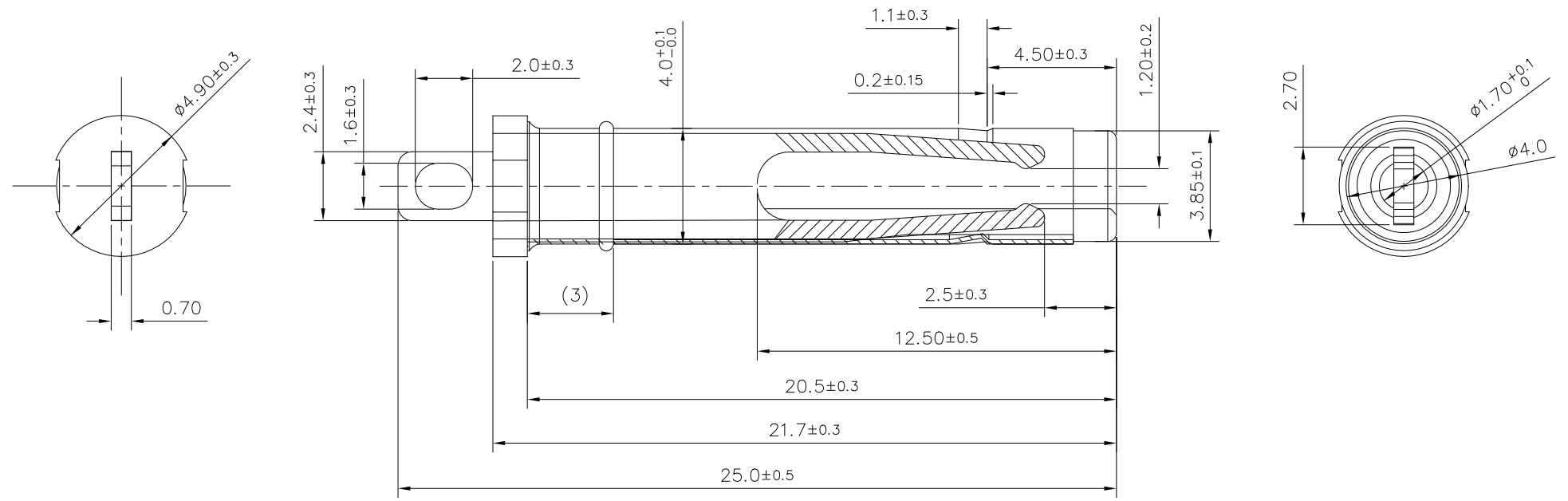


RoHS HF

REV.	ECN NO.	APPD.
A	ECN151010019	Fan Fang
B	ECN160107003	Fan Fang
C	ECN160219011	Fan Fang
D	ECN170310005	Tommy
E	ECN181017002	Darren



- NOTES:
- INSULATION RESISTANCE: 100 MEGOHM MIN.AT 500V DC
 - DIELECTRIC WITHSTANDING VOLTAGE: 650V AC RMS FOR 1 MINUTE
 - INSERTION FORCE: 3.0KGF MAX
EXTRACTION FORCE: 0.7KGF MIN
 - HARMFUL MATERIAL SHOULD MEET THE REQUIRMENTS OF DRAPHO STANDARD DOCUMENT "DQSP2014"
 - PACKAGING CAPACITY:

P/N	PCS/BAG	BAG/BOX	PCS/BOX
PJCP0010-PB03L	2000PCS/BAG	6BAGS/BOX	12000PCS/BOX

PJCP0010-PB03L

C: CABLE TYPE
P: PLUG
CONTACT AREA PLATING:
0: NICKEL PLATING

LEAD FREE
PACKAGE CODE:
3: PE BAG
COLOR: BLACK

③	HIGHTEMP-PLASTIC	UL94V-0, BLACK
②	BRASS	80u"~200u" NICKEL PLATING OVER ALL
①	P-BRONZE	80u"~200u" NICKEL PLATING OVER ALL
ITEM NO.	MATERAIL	FINISH
UNITS: mm	GENERAL TOLERANCE	APPROVED: Darren Lei
DATE: 10/19'18	X. ±0.50 .X ±0.30 .XX ±0.20 N/A .XXX ±0.10	CHECKED: Wes Wu
SHEET: 1/1	MATERIAL: SEE TABLE	DRAWING: Leo Jin
REV. E	FINISH: SEE TABLE	PART NO.: PJCP0010-PB03L TITLE: CUSTOMER DRAWING FOR PLUG CABLE SIDE CONN DRAWING NO.: 820-0000-0313
		Highstar Drapho ELECTRONICS TECHNOLOGY CO., LTD