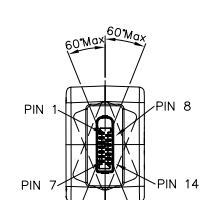
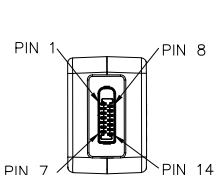


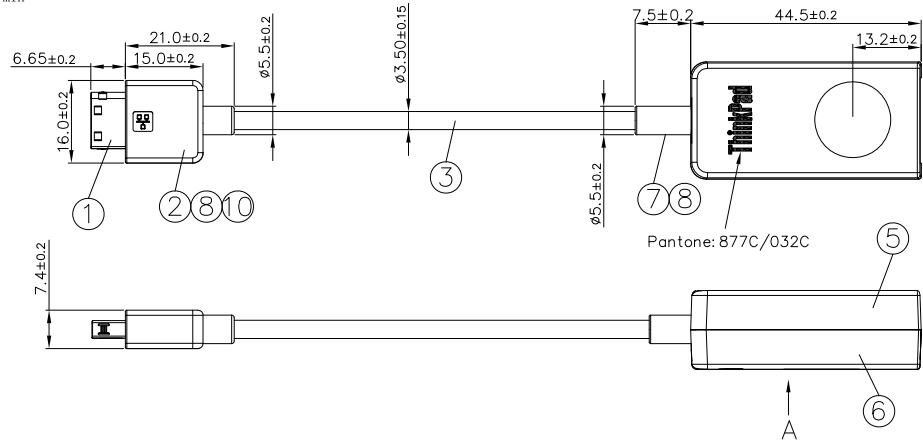
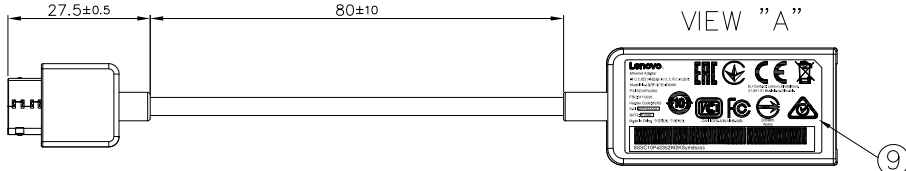
HF&RoHS/Pb-free

CN1 14PIN

1. UV Glue covering solder joints
2. Mating force: Initial and after 5,000 cycle: 2.5kgf Max
3. Extraction force: Initial: 0.7kgf min After 1,000 cycle: 0.45kgf min After 5,000 cycle: 0.35kgf min

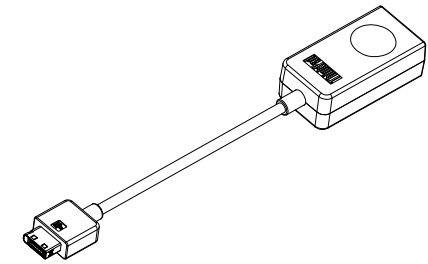
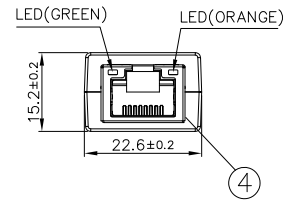


Angle Spec.:



CN2 RJ45

UV Glue covering solder joints



Soldering Pin Define:

SIGNAL NAME	CN1	WIRE COLOR	CN2(PCB)
MDI_2N	1	ORANGE	9
MDI_2P	2	YELLOW	8
-LINK_LED	3	GRAY	2
LED_PWR	4	RED	1
-ACT_LED	5	WHITE/BLACK	3
MDI_1N	6	PINK	7
MDI_1P	7	GREEN	6
MDI_3N	8	BROWN	11
MDI_3P	9	PURPLE	10
GND	10	COPPER	13
-PWRSWITCH	11		
-DOCK_RJ45_DET	12	BLACK	12
MDI_ON	13	WHITE	5
MDI_OP	14	BLUE	4
GND	SHELL	BRAID	13

NOTES:

1. TEST:
 - 1.1 HI-POT : 200VDC 0.1S
 - 1.2 PRODUCTION TEST: COMPUTER FUNCTION TEST
2. HARMFUL MATERIAL CONTROL PLEASE FOLLOW "DQSP2014"
3. HARMFUL MATERIAL CONTROL MUST BE HF
HF SPEC: Cl<900ppm, Br<900ppm, Cl+Br<1500ppm
4. BENDING TEST:
 - 4.1 LOADED WEIGHT: 500g
 - 4.2 BENDING ANGLE: ±90°
 - 4.3 SPINDLE RADIUS: 6mm
 - 4.4 CYCLES: 12/min
 - 4.4 CRITERIA: 1800 CYCLES
 - 4.5 DECIDE CRITERIA: ALL THE FUNCTION TO WORK WITH CONNECTION STATUS AFTER 1800 CYCLES, CHECKING WITH ±90 BENDING ONE CYCLE.

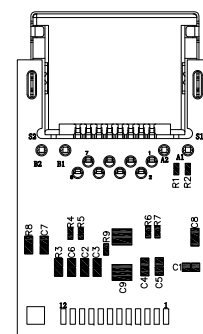
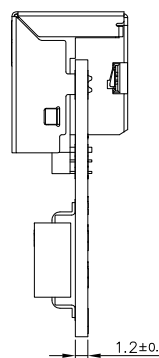
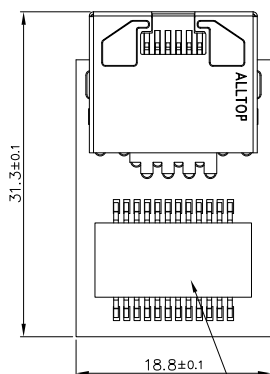
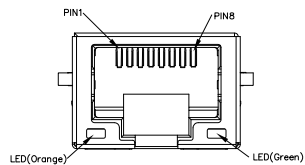
REV.	ECN. NO.	REMARK	APPD.
A	ECN171128004	初版发行	Healthy
B	ECN180130024	内包装增加Lenovo标签	Healthy
C	ECN180326001	设变Plug&标签	Healthy
D	ECN180425012	设变Plug&标签内容	Healthy
E	ECN180508022	设变标签内容	Healthy
F	ECN180705001	增加产品扭角管控	Healthy

ITEM	DESCRIPTION	Q'TY	UNIT	REMARK
10	INNER MOLD	A/R	KG	PP料(本色) T30H
9	Label	1	PCS	38mm*18mm*0.1mm
8	UV GLUE	A/R	KG	HD8566
7	SR FOR RJ45	1	PCS	TPE 45P BLACK
6	RJ45 BOT HSG	1	PCS	Highstar:060-0002-281 PC+ABS BLACK
5	RJ45 TOP HSG	1	PCS	Highstar:060-0001-281 PC+ABS BLACK
4	PCBA FOR RJ45	1	PCS	PBUB-H2001-A2H
3	RAW CABLE	A/R	M	UL21099 32AWG/4P+32AWG/4C+AL-MYLAR+BRAID OD: 3.5mm
2	OVER MOLDING	A/R	KG	TPE 45P BLACK
1	14PIN PLUG	1	PCS	Highstar:DKC0077-H2002-2H

UNITS: mm	GENERAL TOLERANCE	APPROVED: Healthy Huang	PART NO.: LC-RJLVDG01-H
DATE: 07/05/18	X. ±2 .X ±1.5 SCALE: N/A	X.* ±3* .X* ±2*	CHECKED: Healthy Huang
SHEET: 1/4	MATERIAL: N/A	Q'TY N/A	DRAWING NO.: 830-0000-090
REV. F	FINISH: N/A		Highstar Drapho ELECTRONICS TECHNOLOGY CO., LTD

REV.	ECN. NO.	APPD.

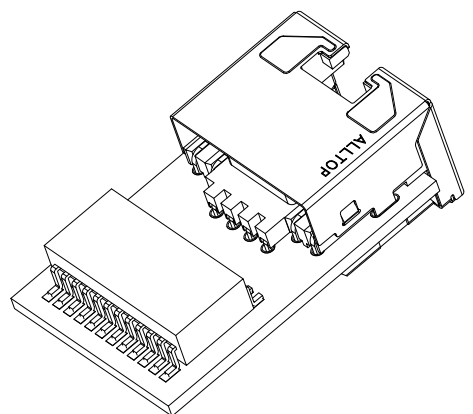
RoHS
HF



C7、C8、R8、R9
不焊电子元件, 仅保留焊盘

SIGNAL NAME	J1(PAD)	J2(RJ45)
LED_PWR	1	A1/B1
Link_LED	2	A2
ACT_LED	3	B2
MDI_0P	4	1
MDI_0N	5	2
MDI_1P	6	3
MDI_1N	7	6
MDI_2P	8	4
MDI_2N	9	5
MDI_3P	10	7
MDI_3N	11	8
DOCK RJ45 DET	12	
GND	13	S1/S2

TAIMAG: IH-189-A



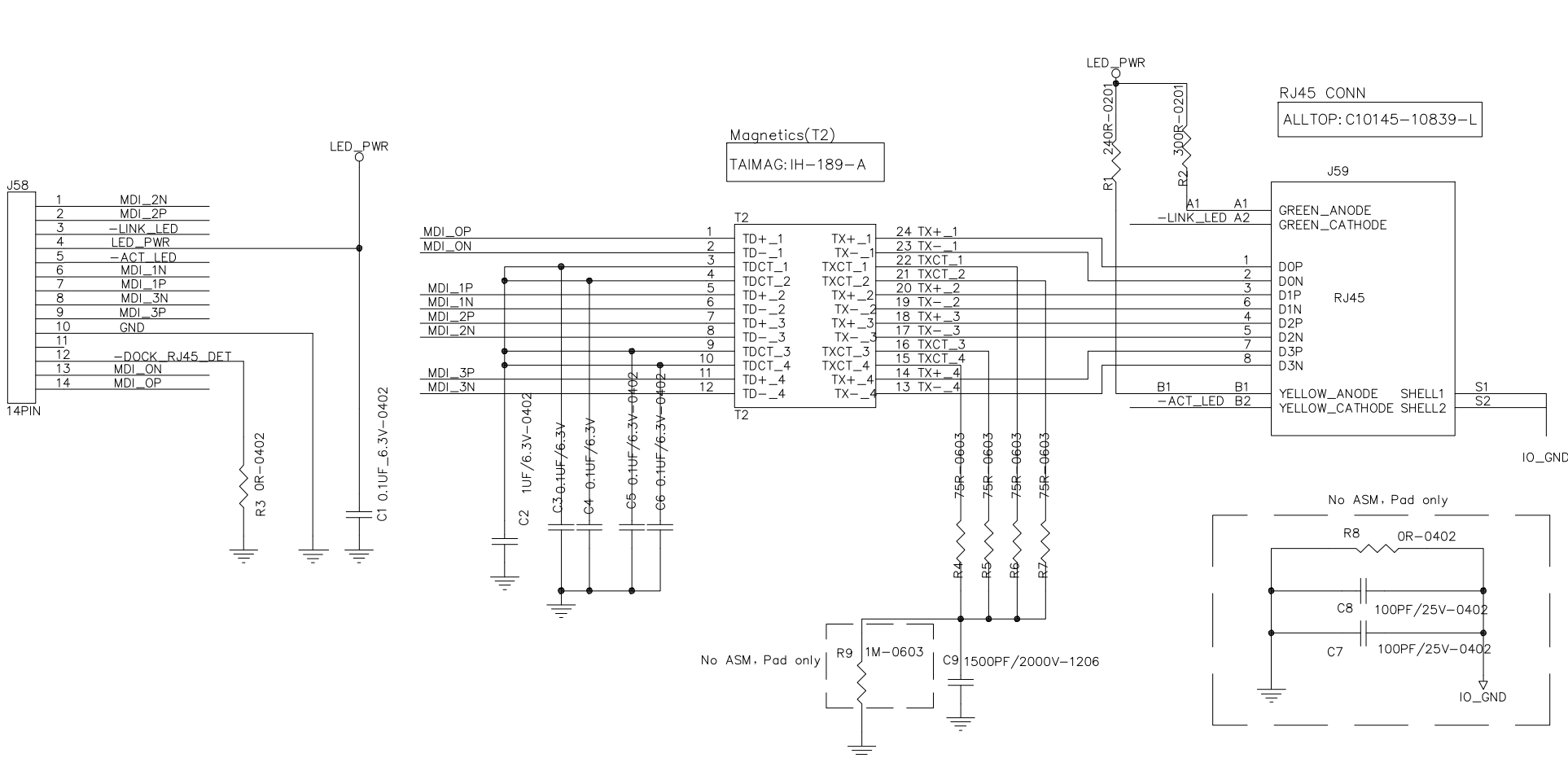
- NOTES:
- TEST:
 - 1.1 100% OPEN/SHORT OR MISWIRE TEST
 - 1.2 CONTACT RESISTANCE: 3 ohm MAX
 - 1.3 INSULATION RESISTANCE: DC200V/10M ohm MIN
 - 1.4 HI-POT: AC200V 0.5mA
 - HARMFUL MATERIAL CONTROL PLEASE FOLLOW "DSQC0042"
 - HARMFUL MATERIAL CONTROL MUST BE HF
HF SPEC: Cl<900ppm, Br<900ppm, Cl+Br<1500ppm




12	R9	0	PCS	1M-0603 No ASM,pad only
11	R4~R7	4	PCS	75R-0603
10	R3/R8	1	PCS	0R-0402 R8 No ASM,pad only
9	R2	1	PCS	300R-0201
8	R1	1	PCS	240R-0201
7	C9	1	PCS	1500PF/2000V-1206
6	C7/C8	0	PCS	100PF/25V-0402 No ASM,pad only
5	C2	1	PCS	1UF/6.3V
4	C1/C3~C6	5	PCS	0.1UF/6.3V
3	Magnetics(T2)	1	PCS	TAIMAG: IH-189-A
2	PCB	1	PCS	23*18.8*1.2 2层
1	RJ45 CONN	1	PCS	ALLTOP: C10145-10839-L

ITEM	DESCRIPTION	Q'TY	UNIT	REMARK
UNITS:	mm	GENERAL TOLERANCE		APPROVED: Healthy Huang
DATE:	07/05/18	X. ±0.1 .X ±0.08	X.* ±3* .X* ±2*	CHECKED: Healthy Huang
SCALE:	N/A	.XX ±0.05		DRAWING: Samuel Hu
SHEET:	2/4	MATERIAL: N/A	Q'TY N/A	PART NO.: LC-RJLVG01-H
REV.	F	FINISH: N/A		TITLE: CUSTOMER DRAWING FOR RJ45 DONGLE CABLE
				DRAWING NO.: 830-0000-090
				Highstar
				Drapho ELECTRONICS TECHNOLOGY CO., LTD

REV.	ECN. NO.	APPD.

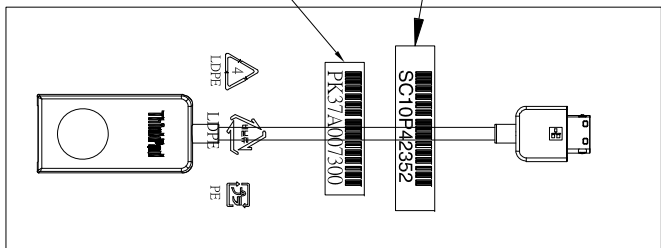
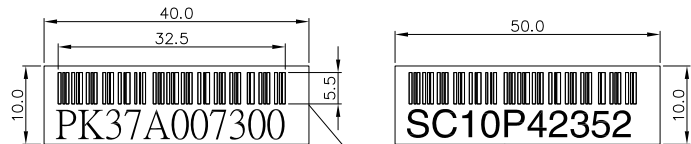
HF&RoHS/Pb-free



UNITS: mm	GENERAL TOLERANCE		APPROVED: Healthy Huang	PART NO.: LC-RJLVG01-H
DATE: 07/05/18	X. ±2 .X ±1.5 .XX ±1.00	X.* ±3* .X* ±2*	CHECKED: Healthy Huang	TITLE: CUSTOMER DRAWING FOR RJ45 DONGLE CABLE
SCALE: N/A			DRAWING: Samuel Hu	DRAWING NO.: 830-0000-090
SHEET: 3/4	MATERIAL: N/A	Q'TY N/A	 Highstar Drapho ELECTRONICS TECHNOLOGY CO., LTD	
REV. F	FINISH: N/A	 		

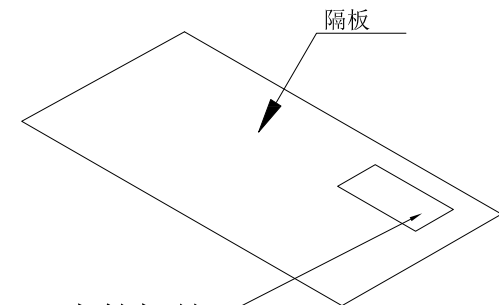
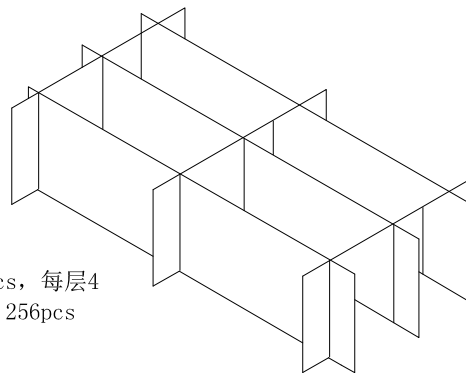
REV.	ECN. NO.	APPD.
------	----------	-------

HF&RoHS/Pb-free



每1pcs产品装一个小的PE袋中
PE袋规格: 200*80mm

每格装16pcs, 每层4格, 共4层, 256pcs



外箱标签:

按照实际出货客户, 打印对应的料号

P/N: (P) PK37A007300

D/C&Ver: (D) 171016 (V) 0A

L/N: (L) 20171016

Vender: (V) JHS11

Q' TY: (Q) 256

SPEC: (S) LC-RJLVDG01-H

PO: 85000006981

1
 2
 3

GP
 HF

根据实际出货日期勾选出货月份

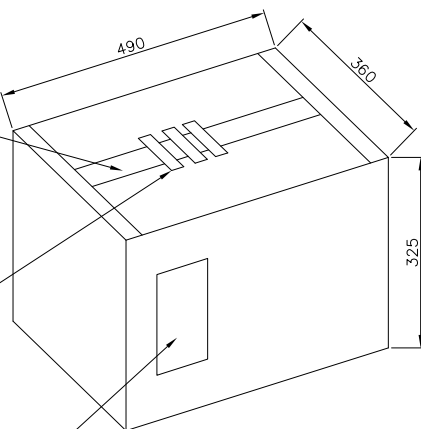
按照实际订单号码打印



透明封箱胶纸

UL标签

外箱标签



内箱标签



右下角增加合格标志

UL标签:



UNITS: mm	GENERAL TOLERANCE	APPROVED: Healthy Huang	PART NO.: LC-RJLVDG01-H
DATE: 07/05/18	X. ±2 .X ±1.5 SCALE: N/A	X.* ±3* .X* ±2*	CHECKED: Healthy Huang
SHEET: 4/4	MATERIAL: N/A	Q'TY: N/A	DRAWING NO.: 830-0000-090
REV. F	FINISH: N/A	Samuel Hu	Highstar
Drapho ELECTRONICS TECHNOLOGY CO., LTD			