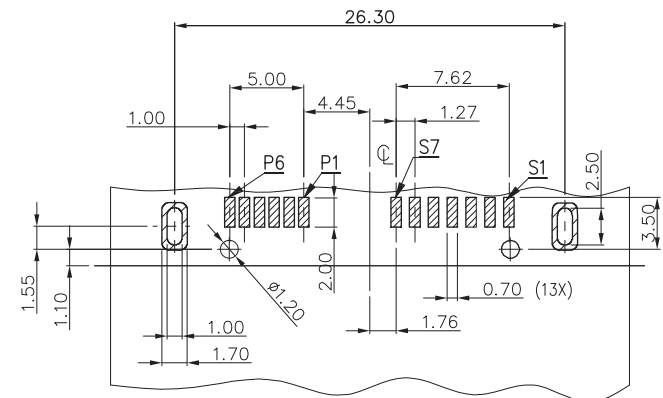
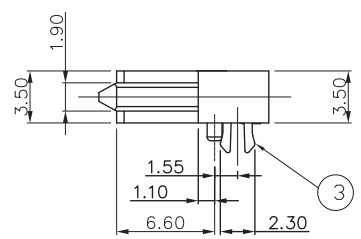
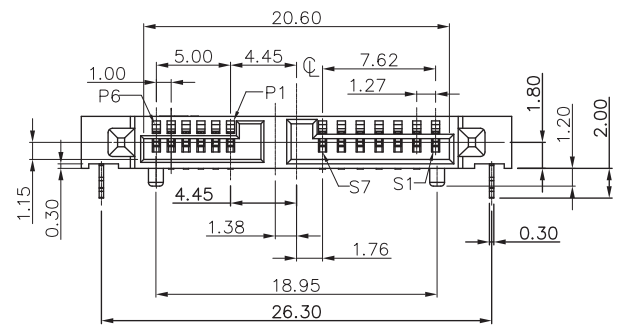
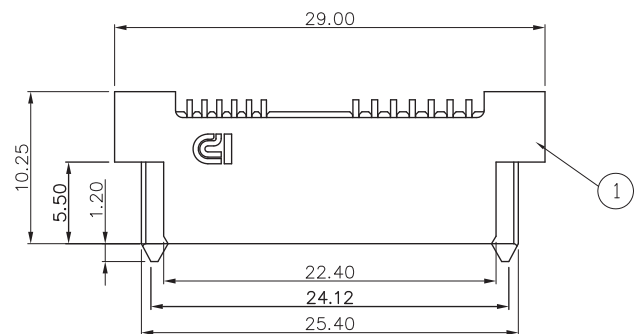


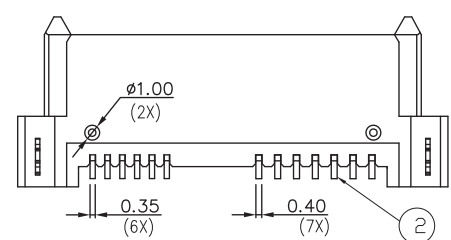
REV.	ECN. NO.	APPD.
A	ECN131107001	Fan Fang

NOTES:  
 1.DIMENSION SHALL BE INTERPRETED PER ASME Y14.5M-1994.  
 2.ELECTRICAL CHARACTERISTICS  
 2.1 RATED CURRENT:1.5A MAX.;  
 2.2 CONTACT RESISTANCE:75 mOHMS MAX.;  
 2.3 INSULATION RESISTANCE: 1000 MOHMS MIN.;  
 2.4 WITHSTANDING VOLTAGE: 500 VAC FOR 1 MINUTE MIN.;  
 3.MECHANICAL CHARACTERISTICS  
 3.1 DURABILITY:500 CYCLES  
 3.2 VIBRATION:PASSED EIA-364-28.  
 3.3 SHOCK: PASSED EIA-364-27H.  
 4.ENVIRONMENT CHARACTERISTICS  
 OPERATION TEMPERATURE RANGE:-40°C TO +85°C  
 5.PLEASE CONTACT DRAPHO SALES REPRESENTATIVE TO VERIFY PRODUCT DETAILS & AVAILABILITY.



RECOMMENDED PCB LAYOUT (COMPONENT SIDE)

TOLERANCE: +/-0.05



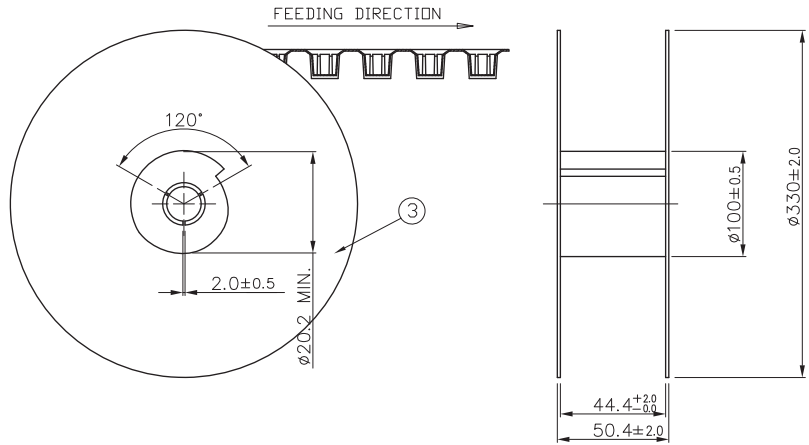
PART LIST

SA 1S 013 6 -2 01 1 H  
 SATA CONN. POS.NO. 013:13 POS.  
 LEAD FREE & HALOGEN FREE  
 PACKAGE TYPE 1:TAPE AND REEL  
 CENTER HIGH 2:1.8mm  
 CONTACT AREA PLATING 6: 1 u" GOLD PLATING



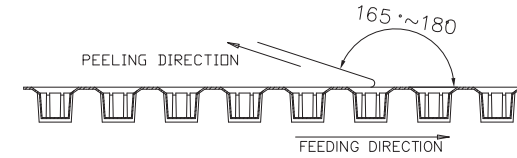
2	HOOK	COPPER ALLOY	50u" NICKEL PLATING OVERALL. 80u" MATTE TIN PLATING ON SOLDER AREA.	③
13	CONTACT	COPPER ALLOY	50u" NICKEL UNDER PLATING; 1u" GOLD PLATING ON CONTACT AREA; 80u" MATTE TIN PLATING ON SOLDER AREA.	②
1	HOUSING	HIGHTEMP-PLASTIC	UL94V-0,BLACK	①
Q	MATERAIL		FINISH	ITEM NO.
UNITS: mm	GENERAL TOLERANCE		APPROVE: Fan Fang	PART NO.(INTENDED USE) SA1S0136-2011H
DATE: 11/07'13	X. ±0.30 .X ±0.20	X.* ±5.00* .X.* ±3.00*	CHECKED: Walker Zhao	TITLE: SATA CUSTOMER DRAWING
SCALE: N/A	.XX ±0.15	.XX* ±2.00*	DRAW: Adam Zhu	DRAWING NO.: 820-0000-107
SHEET: 1/2	MATERIAL:	Q'TY	Highstar Drapho ELECTRONICS TECHNOLOGY CO., LTD	
REV.: A	FINISH:			

REV.	ECN. NO.	APPD.



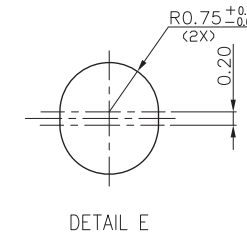
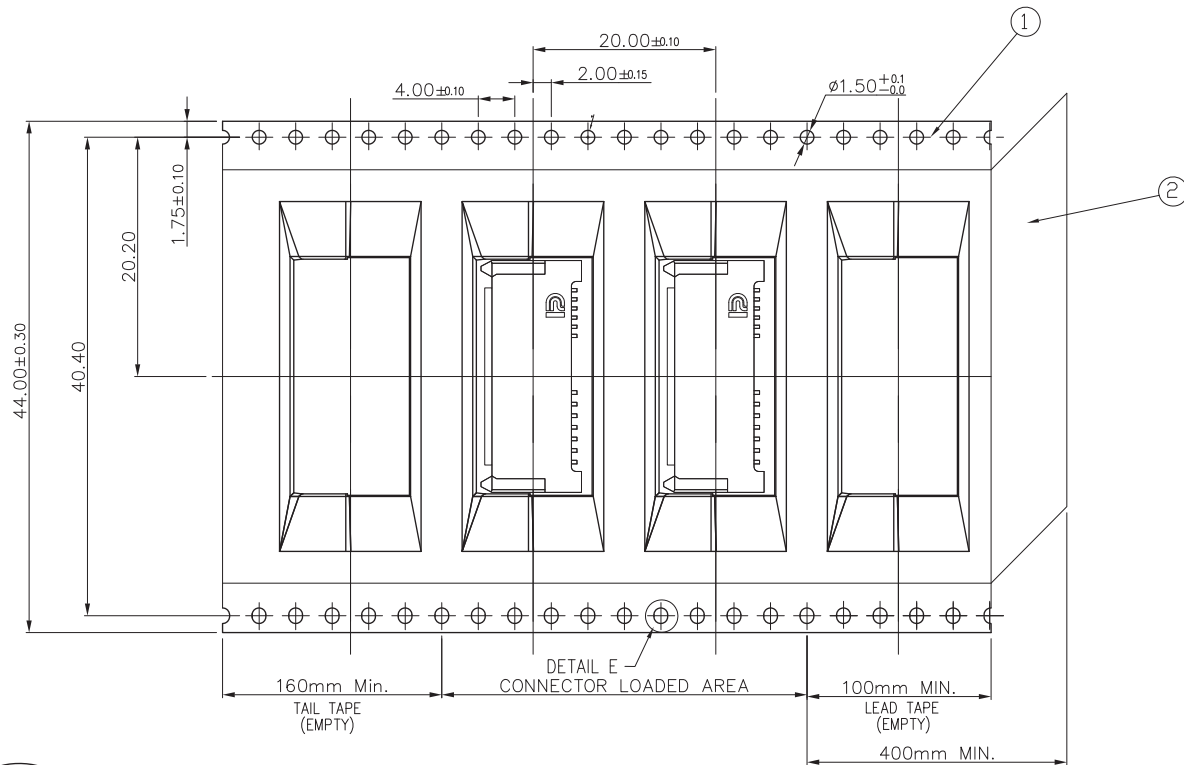
NOTES:

- 10 PITCHES CUMULATIVE TOLERANCE ON TAPE  $\pm 0.20$ mm.
- COVER TAPE PEELING STRENGTH: 0.13kgf MAX AT 300mm/MINUTE.




3. PACKING CAPACITY:

P/N	PCS/REEL	REEL/BOX	PCS/BOX
SA1S0136-2011H	450	6	2700



ITEM	DESCRIPTION
③	REEL
②	COVER TAPE
①	CARRIER TAPE

UNITS: mm	GENERAL TOLERANCE		APPROVE: Fan Fang	PART NO.(INTENDED USE) SA1S0136-2011H
DATE: 11/07'13	X. $\pm 0.30$	X.* $\pm 5.00^*$	CHECKED: Walker Zhao	TITLE: SATA CUSTOMER DRAWING
SCALE: N/A	.X $\pm 0.20$	.X* $\pm 3.00^*$	DRAW: Adam Zhu	DRAWING NO.: 820-0000-107
SHEET: 2/2	MATERIAL: Q'TY		 Highstar Drapho ELECTRONICS TECHNOLOGY CO., LTD	
REV.: A	FINISH:	