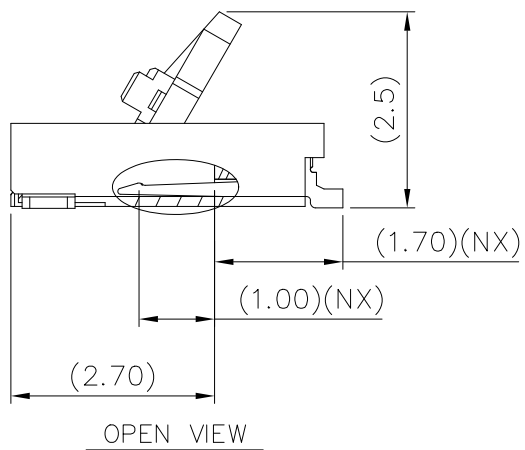
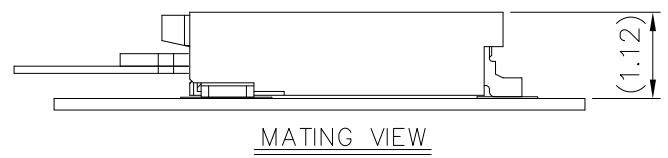
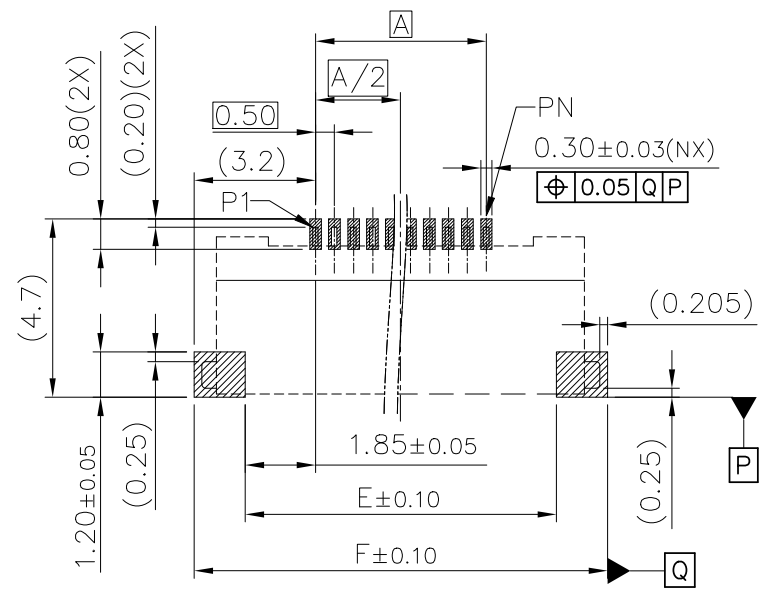
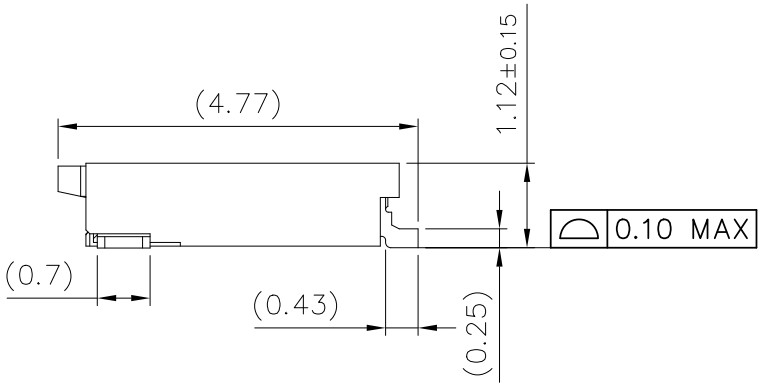
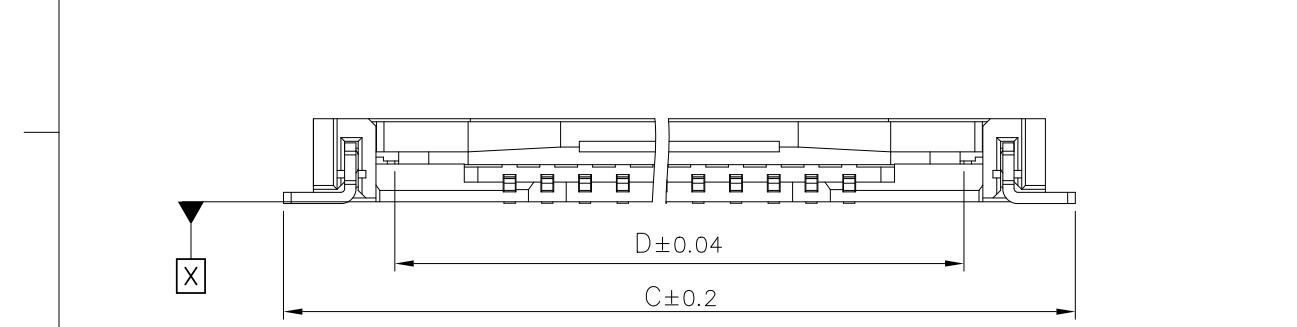
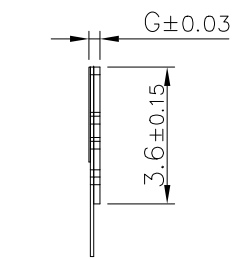
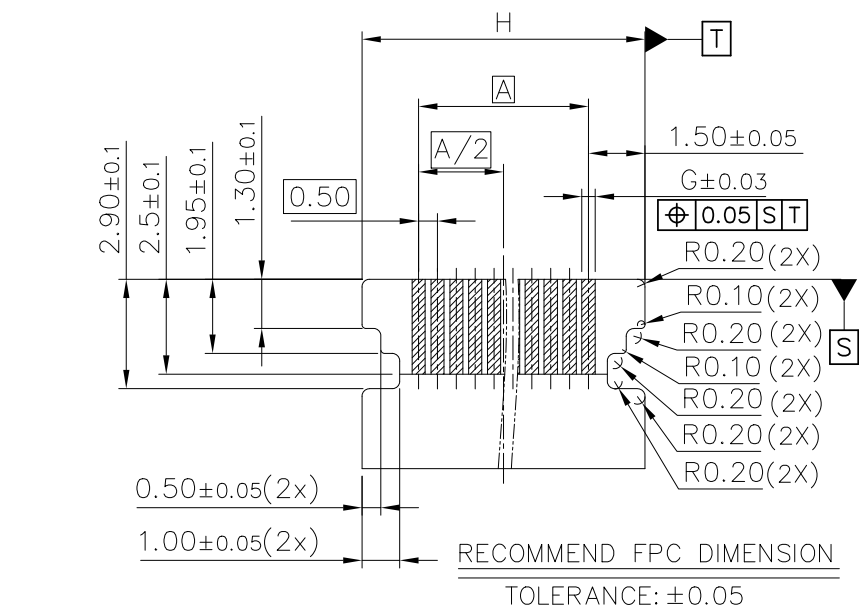
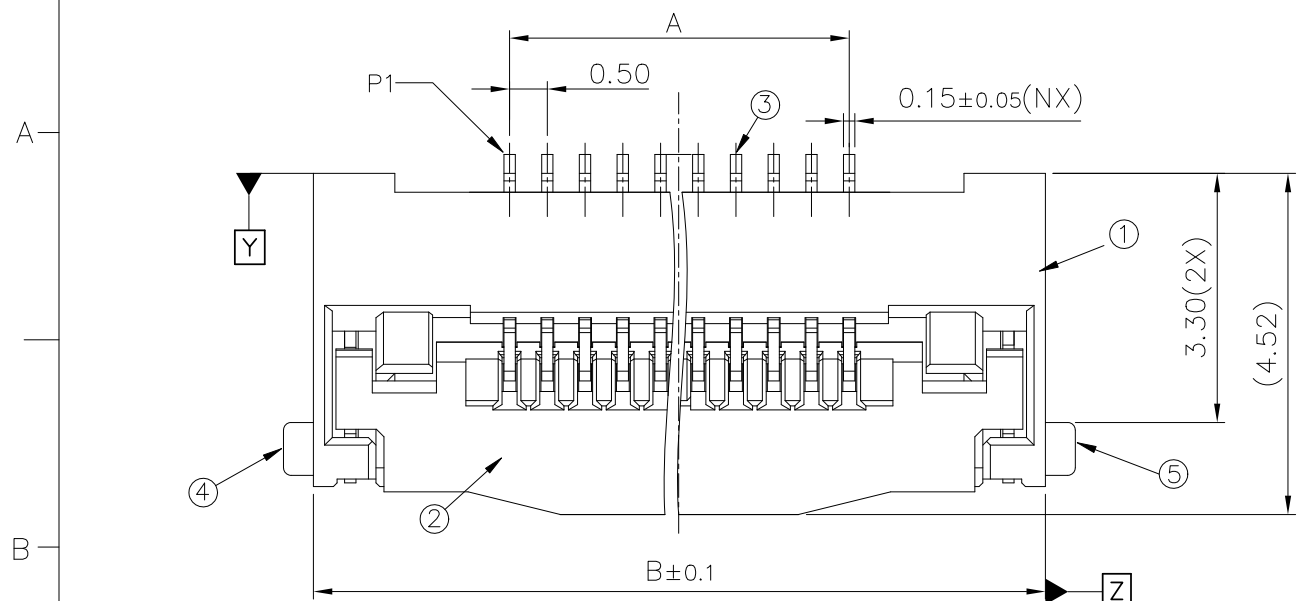


AUTOCAD GENERATED DRAWING,DON'T CHANGE BY HAND

REV.	ECN. NO.	APPD.
A	ECN150205002	Fan.Fang
B	ECN150708003	Fan.Fang
C	ECN151210020	Fan.Fang
D	ECN160125045	Fan.Fang
E	ECN180920009	Darren.Lee
F	ECN190603001	River.Yao
G	ECN201228003	Mike.Wu



DIM POS NO.	G								
	A	B	C	D	E	F	FPC	FFC	H
4PIN	1.5	6.7	7.49	4.54	5.2	7.9	0.35	0.30	4.5
6PIN	2.5	7.7	8.49	5.54	6.2	8.9	0.35	0.30	5.5
8PIN	3.5	8.7	9.49	6.54	7.2	9.9	0.35	0.30	6.5
10PIN	4.5	9.7	10.49	7.54	8.2	10.9	0.35	0.30	7.5
12PIN	5.5	10.7	11.49	8.54	9.2	11.9	0.35	0.30	8.5
14PIN	6.5	11.7	12.49	9.54	10.2	12.9	0.35	0.30	9.5
16PIN	7.5	12.7	13.49	10.54	11.2	13.9	0.35	0.30	10.5

- NOTES:
- DIMENSIONS SHOULD BE INTERPRETED PER ASME Y14.5-1994.
  - ELECTRICAL CHARACTERISTICS:
    - CONTACT CURRENT RATING: 0.5A MAX. PER PIN;
    - INSULATION RESISTANCE: 100 MΩ MIN. AT 500 VDC;
    - DIELECTRIC WITHSTANDING VOLTAGE: 500V AC RMS AT 60Hz FOR 1 MINUTE;
    - CONTACT RESISTANCE: 50 mΩ MAX. INITIAL, 100 mΩ MAX. AFTER PHYSICAL AND ENVIRONMENTAL TESTS;
  - MECHANICAL CHARACTERISTICS
    - DURABILITY: 30CYCLES;
  - ENVIRONMENTAL CHARACTERISTICS:
    - OPERATING TEMPERATURE: -40°C TO +85°C;
  - HARMFUL MATERIAL CONTROL SHOULD MEET DOCUMENT "DQSP2014".

PART NO. FC5AF\*\*\*-2121H

FPC CONN. PITCH: 5=0.5mm

POS.NO.: 04=4POS. 06=6POS. 16=16POS.

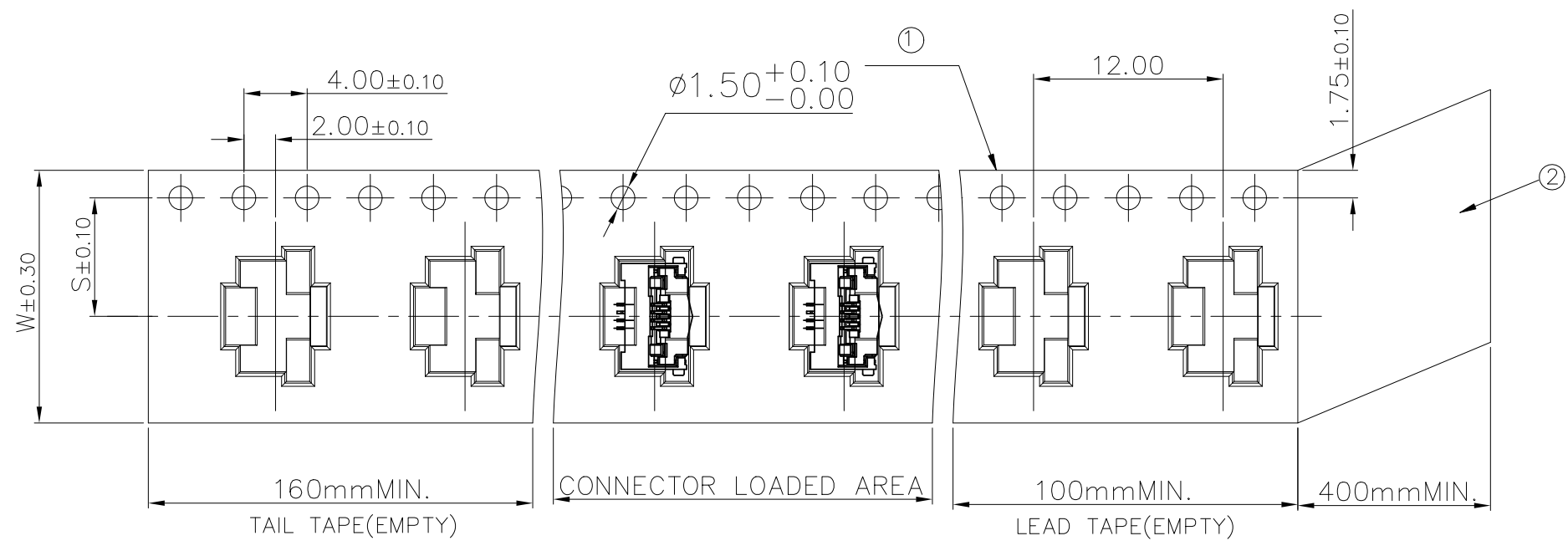
HALOGEN/LEAD FREE TAPE & REEL

PROFILE HEIGHT: 12=1.12mm

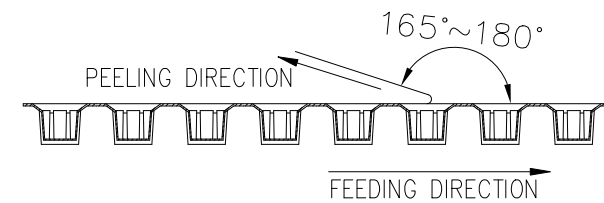
CONTACT AREA PLATING: 1= 5μ·MIN GOLD PLATING

⑤	PAD2	1	STAINLESS STEEL	50μ·MIN NICKEL UNDER PLATING; 1μ·MIN GOLD PLATING OVERALL.	
④	PAD1	1	STAINLESS STEEL	50μ·MIN NICKEL UNDER PLATING; 1μ·MIN GOLD PLATING OVERALL.	
③	CONTACT	POS NO.	COPPER ALLOY	50μ·MIN NICKEL UNDER PLATING GOLD PLATING ON CONTACT AREA; 1μ·MIN GOLD PLATING ON SOLDER AREA.	
②	ACTUATOR	1	THERMOPLASTIC	COLOR: BLACK	UL, 94V-0
①	HOUSING	1	THERMOPLASTIC	COLOR: NATURAL	UL, 94V-0
ITEM	DESCRIPTION	Q'TY	MATERIAL	TREATMENT	ATTACHMENT
UNITS: mm	GENERAL TOLERANCE		APPROVED: Mike Wu		PART NO.(INTENDED USE) FC5AF***-2121H
DATE: 12/28/20	X. ±0.30 .X ±0.20	X.* ±2° .X* ±1°	CHECKED: Wes Wu		TITLE: CUSTOMER DRAWING FOR 0.50MMP 1.12MMH FFC CONN
SCALE: N/A	.XX ±0.15 .XXX ±0.05	.XX* .XXX*	DRAWING: Mandy.Zhu		DRAWING NO.: 820-0000-0168
SHEET: 1/2	MATERIAL:	Q'TY N/A	<b>Highstar</b> <b>Drapho ELECTRONICS TECHNOLOGY CO., LTD</b>		
REV. G	FINISH:				

REV.	ECN. NO.	APPD.

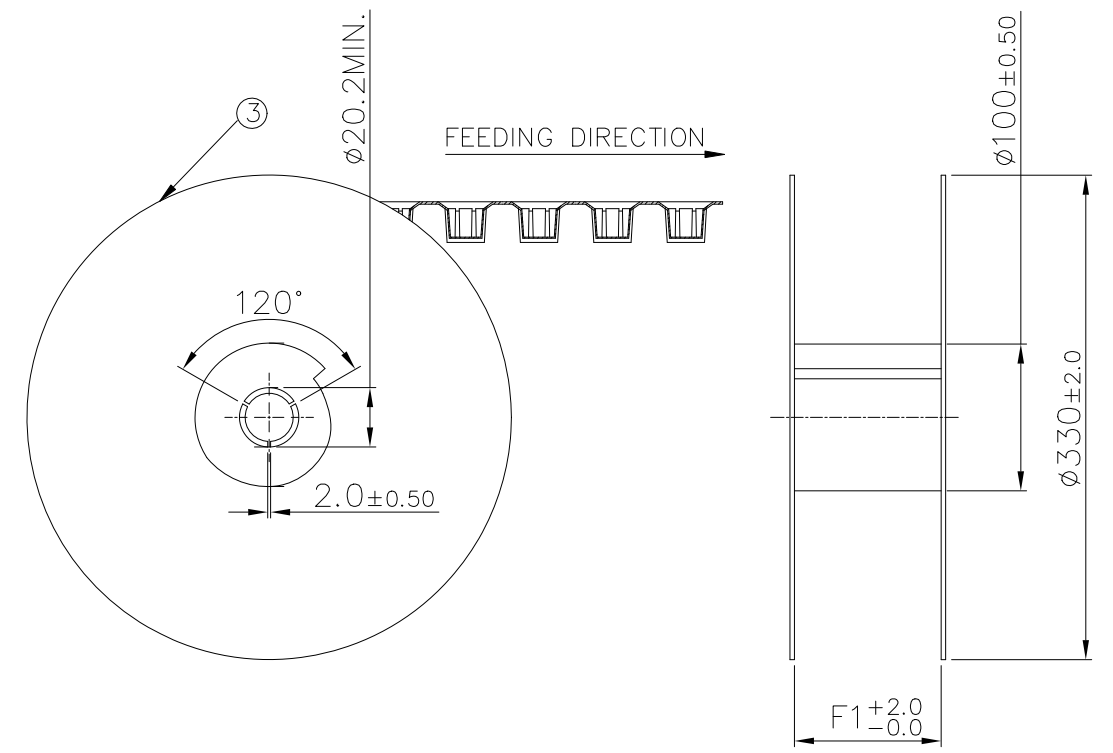


NOTES:  
 1.10 PITCHES CUMULATIVES TOLERANCE ON TAPE IS +/-0.20mm;  
 2.COVER TAPE PEELING STRENGTH :0.13Kgf MAX. AT 300mm/MINUTE;



3.PACKAGING CAPACITY:

P/N	S	W	F	PCS/REEL	REEL/BOX	PCS/BOX
FC5AF04*-2121H	7.50	16.00	16.40	3000	9	27000
FC5AF06*-2121H	7.50	16.00	16.40	3000	9	27000
FC5AF08*-2121H	11.50	24.00	24.40	3000	5	15000
FC5AF10*-2121H	11.50	24.00	24.40	3000	5	15000
FC5AF12*-2121H	11.50	24.00	24.40	3000	5	15000
FC5AF14*-2121H	11.50	24.00	24.40	3000	5	15000
FC5AF16*-2121H	11.50	24.00	24.40	3000	5	15000



③	REEL	POLYSTYRENE
②	COVER TAPE	POLYSTER
①	CARRIER TAPE	POLYSTYRENE
ITEM	DESCRIPTION	MATERIAL

UNITS: mm	GENERAL TOLERANCE	APPROVED: Mike Wu	PART NO.(INTENDED USE) FC5AF***-2121H
DATE: 12/28/20	X. ±0.50 .X ±0.30 .XX ±0.20 .XXX	CHECKED: Wes Wu	TITLE:CUSTOMER DRAWING FOR 0.50MMP 1.12MMH FFC CONN
SCALE: N/A	.XX ±0.20 .XXX	DRAWING: Mandy.Zhu	DRAWING NO.: 820-0000-0168
SHEET: 2/2	MATERIAL: Q'TY N/A	 <b>Highstar</b> <b>Drapho ELECTRONICS TECHNOLOGY CO., LTD</b>	
REV. G	FINISH:		