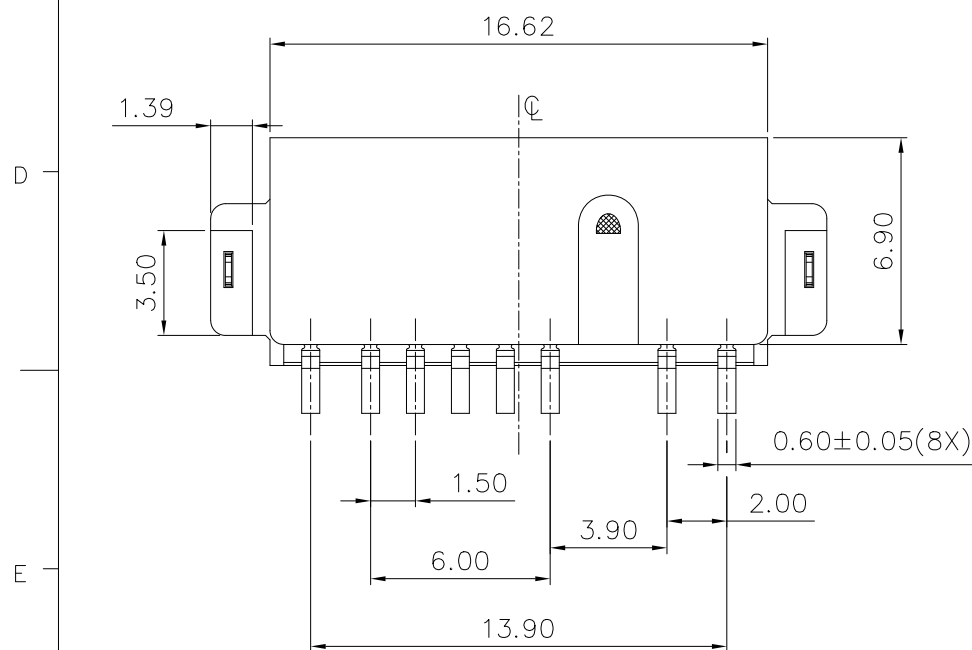
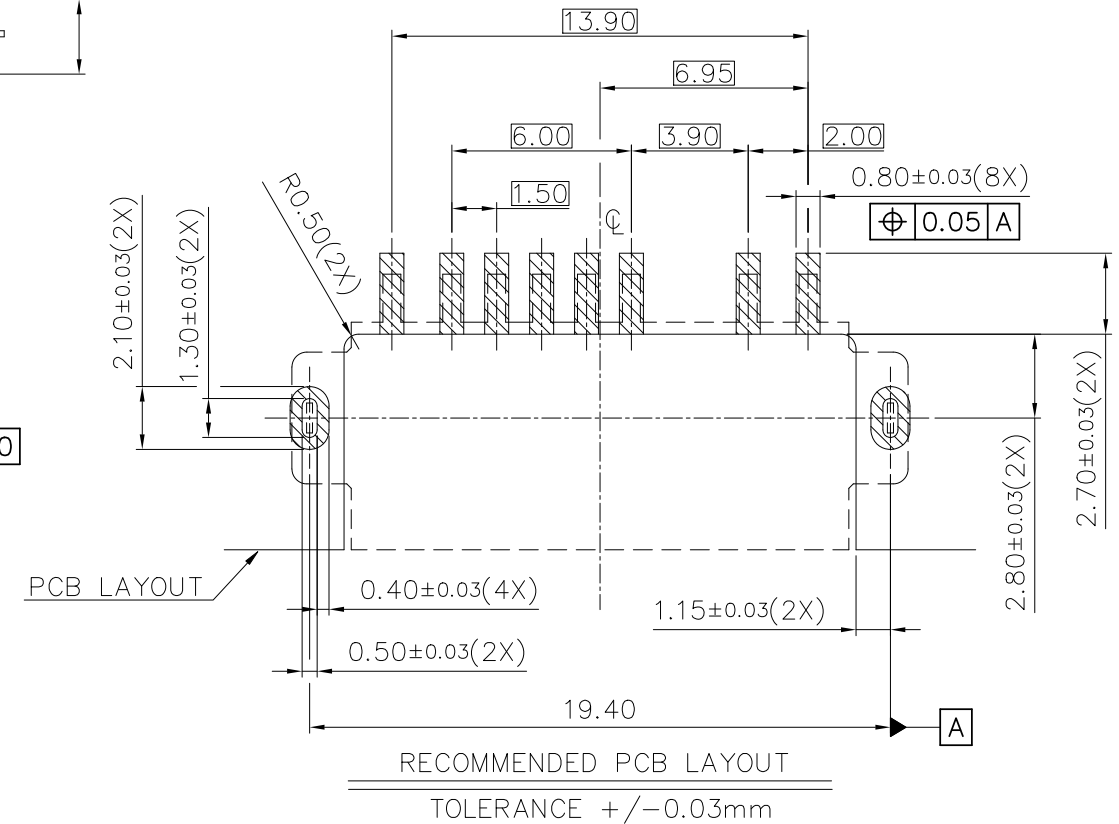
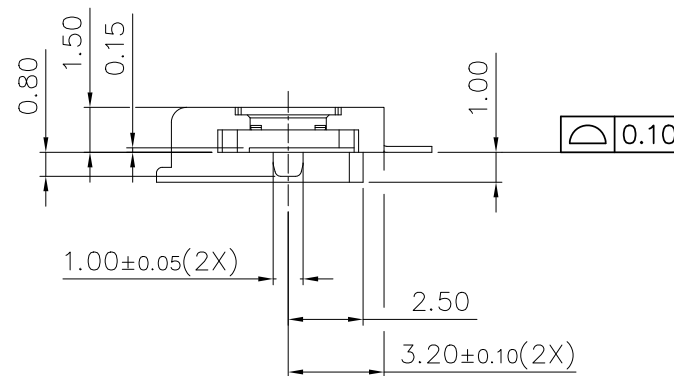
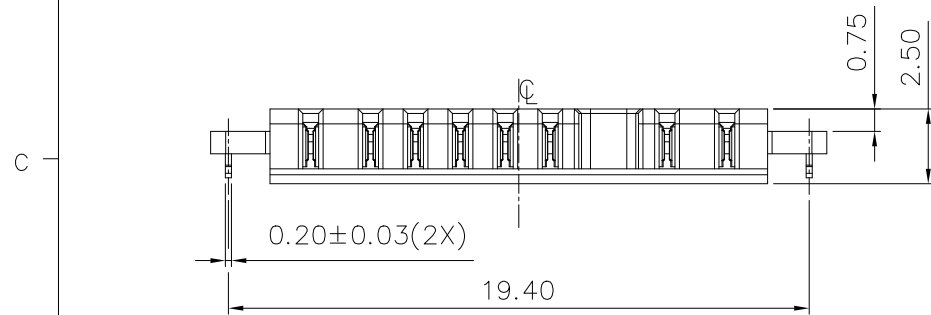
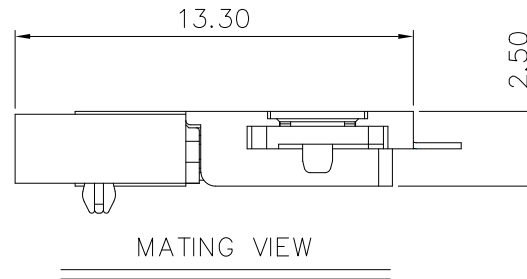
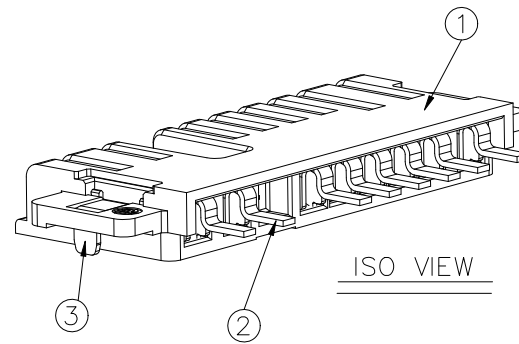
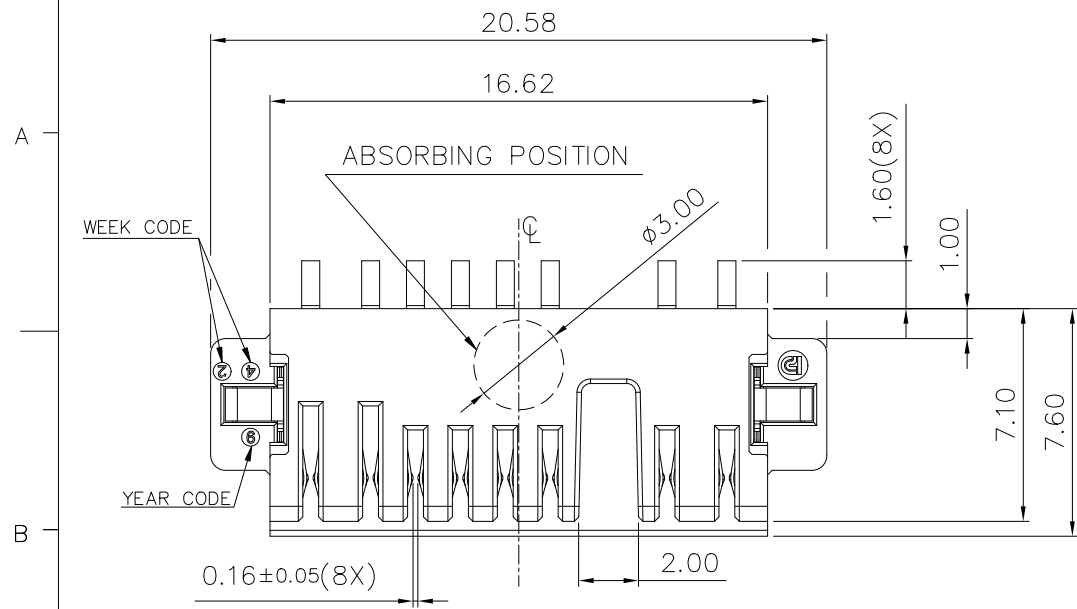


RoHS HF

REV.	ECN. NO.	APPD.
A	ECN210324002	Mike.Wu



PART NO. BC5408*-S0255-1 H

BATTERY CONN

PITCH: 5=1.50mm

MATING CONDITION: 4: HORIZONTAL & VERTICAL

POS.NO 08=8POS

HALOGEN & LEAD FREE

PACKAGE CODE 1: CARRIER TAPE

PROFILE HEIGHT: 25=2.50mm

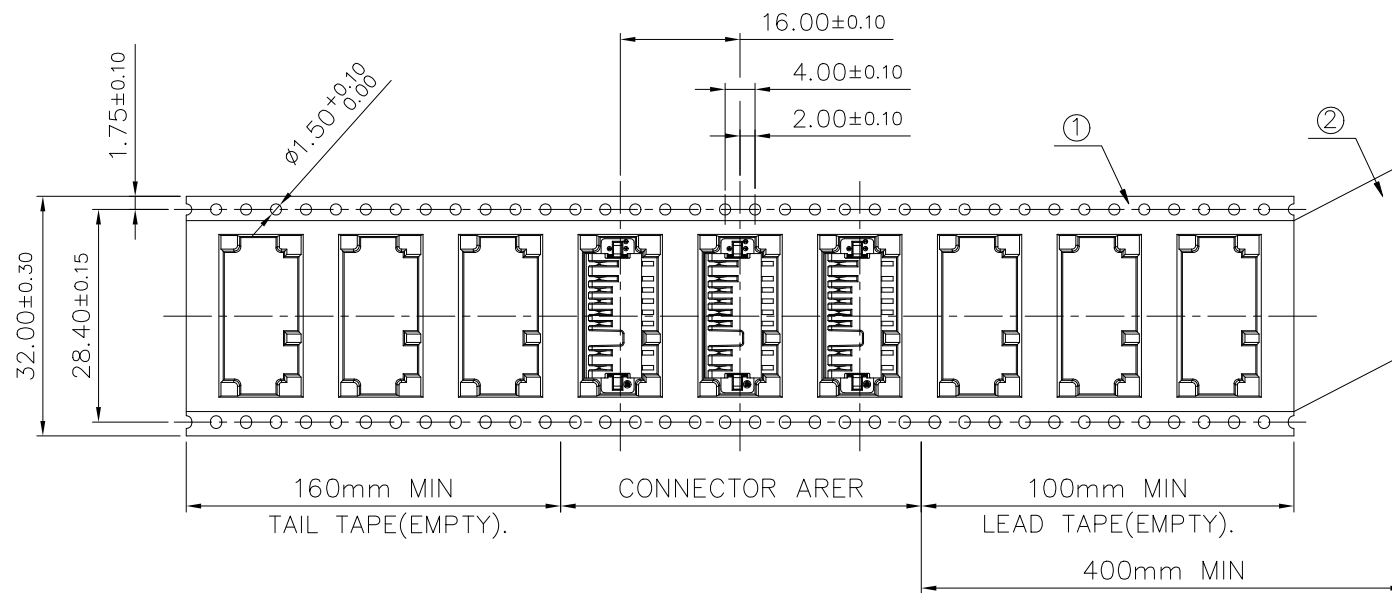
CONTACT AREA PLATING: 5=5u" MIN. GOLD PLATING 6=8u" MIN. GOLD PLATING

- NOTE:
- ELECTRICAL CHARACTERISTICS:
 - 1-1.LOW LEVEL CONTACT RESISTANCE (DRY CIRCUIT): 20 MILLIOHMS MAX.INITIAL.
 - 1-2.VOLTAGE RATING: 30V DC
 - 1-3.CURRENT RATING: 7.0A.MAX (PER CONTACT.)
 - 1-4.DIELECTRIC WITHSTANDING VOLTAGE: 500VAC AT SEA LEVEL.
 - 1-5.INSULATION RESISTANCE: 100 MEGAOHMS MIN INITIAL.
 - MECHANICAL:
 - 2-1.MATING FORCE: 2.50 KGF MAX
 - 2-2.UNMATING FORCE: 0.20 KGF MIN
 - 3-3.DURABILITY (MATING/UNMATING CYCLES): 5000 CYCLES.
 - OPERATING TEMPERATURE : -40°C TO +85°C.
 - PLEASE CONTACT DRAPHO SALES REPRESENTATIVE TO VERIFY PRODUCT DETAILS & AVAILABILITY.
 - HARMFUL MATERIAL CONTROL MEET DQSP2014.

ITEM NO.	NAME	MATERIAL	FINISH	Q'TY
③	HOOK	COPPER ALLOY	50u"MIN NICKEL UNDER PLATING 50u"MIN MATTE TIN PLATING ON SOLDER AREA	2
②	CONTACT	COPPER ALLOY	50u"MIN NICKEL UNDER PLATING 50u"MIN MATTE TIN PLATING ON SOLDER AREA **MIN GOLD PLATING ON CONTACT AREA	8
①	HOUSING	HIGHTEMP-PLASTIC	UL94V-0, BLACK	1

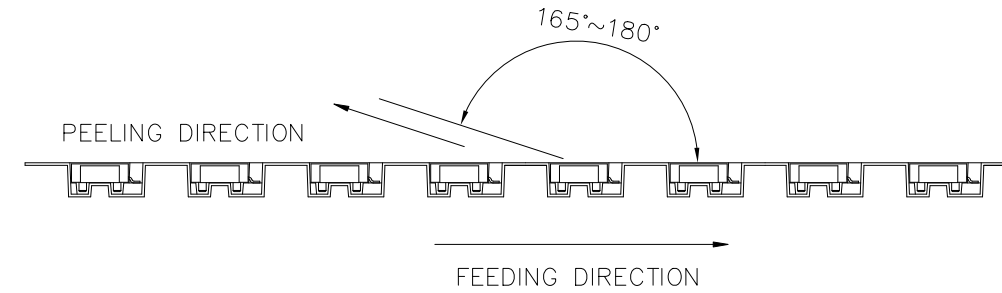
UNITS: mm	GENERAL TOLERANCE	APPROVE: Mike.Wu	PART NO.(INTENDED USE) BC5408*-S0255-1H
DATE: 03/25'21	X. ±0.30 .X ±0.20 .XX ±0.15	CHECKED: Wes.Wu	TITLE: CUSTOMER DAWING FOR 1.5P 2.50mmH BATTERY REC CONN
SCALE: N/A	X.* ±5.00* .X.* ±3.00* .XX.* ±2.00*	DRAW: Beal.Bao	DRAWING NO.: 820-0000-0911
SHEET: 1/2	MATERIAL: SEE TABLE	Q'TY N/A	<p>Highstar Drapho ELECTRONICS TECHNOLOGY CO., LTD</p>
REV.: A	FINISH: SEE TABLE		

RoHS HF



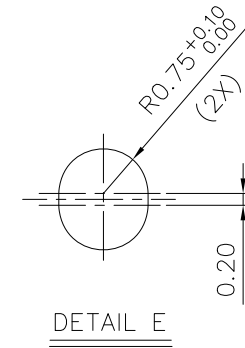
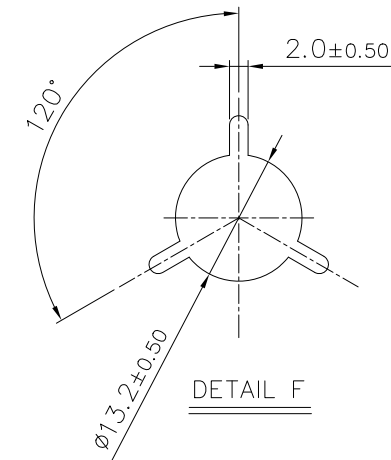
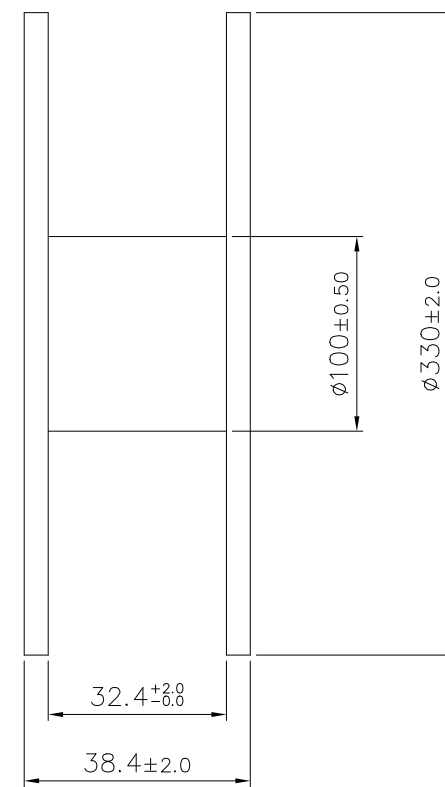
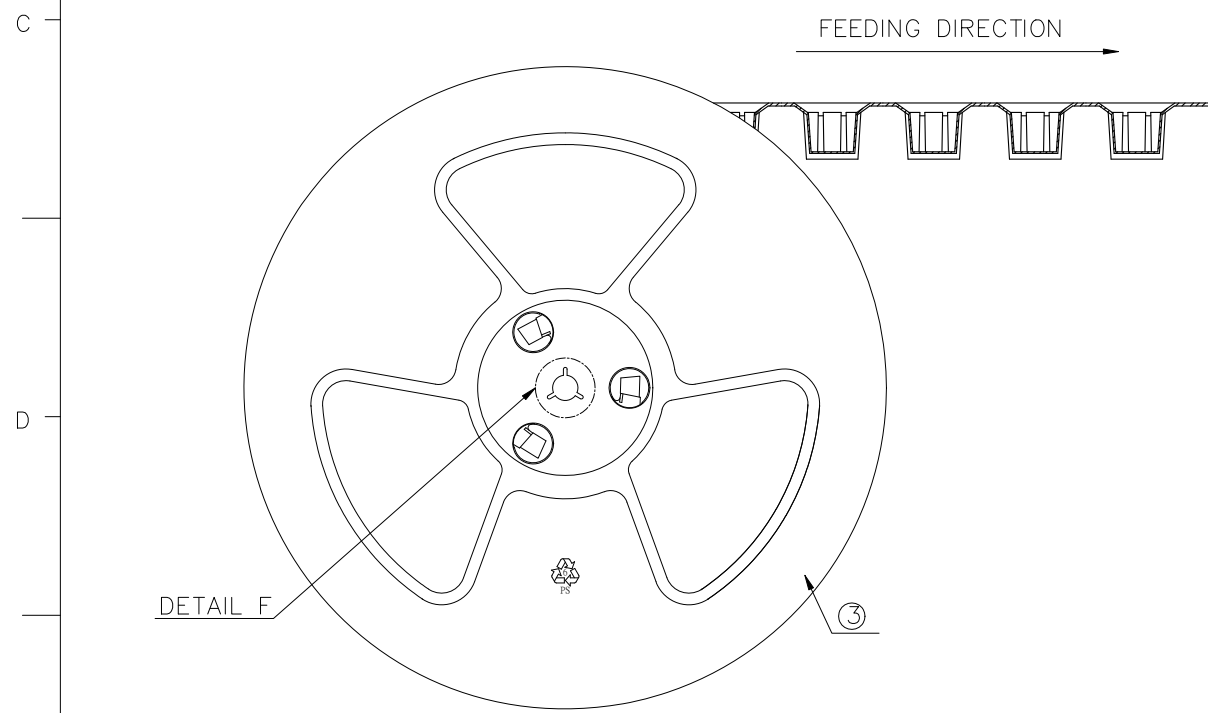
NOTES:

- 1.10 PITCHES CUMULATIVES TOLERANCE ON TAPE IS +/-0.20mm;
- 2.COVER TAPE PEELING STRENGTH :0.13Kgf MAX. AT 300mm/MINUTE;



3.PACKAGING CAPACITY:

P/N	PCS/REEL	REEL/BOX	PCS/BOX
BC54085-S0255-1H	1300	5	6500
BC54086-S0255-1H	1300	5	6500



ITEM	DESCRIPTION	MATERIAL
③	REEL	POLYSTYRENE
②	COVER TAPE	POLYSTER
①	CARRIER TAPE	POLYSTYRENE

UNITS: mm	GENERAL TOLERANCE	APPROVE: Mike.Wu	PART NO.(INTENDED USE) BC5408*-S0255-1H
DATE: 03/25'21	X. ±0.30 .X ±0.20 .XX ±0.15	X.* ±5.00° .X.* ±3.00° .XX.* ±2.00°	CHECKED: Wes.Wu
SCALE: N/A			DRAW: Beal.Bao
SHEET: 2/2	MATERIAL: SEE TABLE	Q'TY N/A	TITLE: CUSTOMER DARAWING FOR 1.5P 2.50mmH BATTERY REC CONN
REV.: A	FINISH: SEE TABLE	⊕	DRAWING NO.: 820-0000-0911
		Highstar Drapho ELECTRONICS TECHNOLOGY CO., LTD	