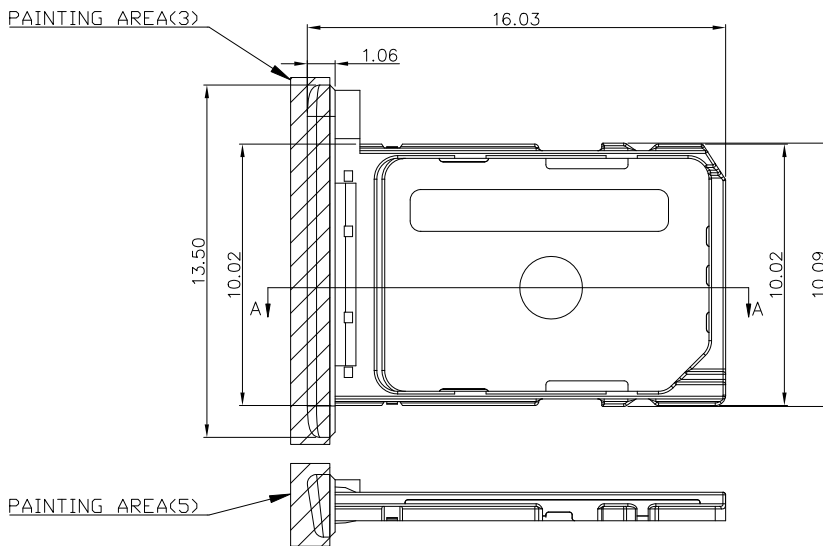
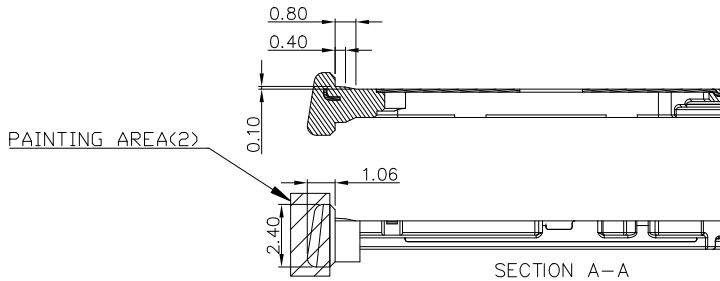
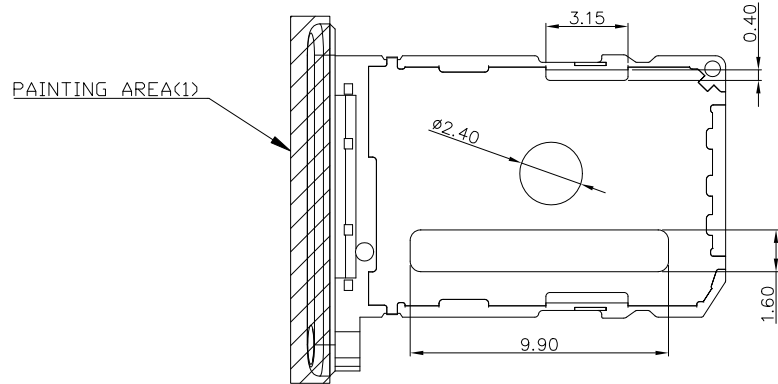
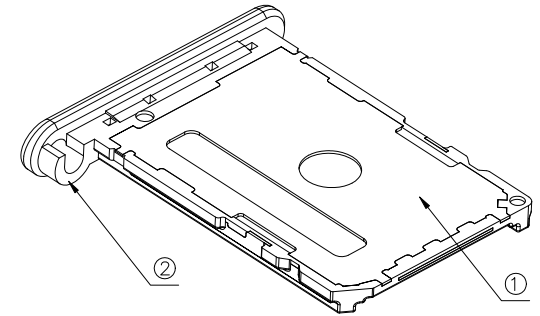


RoHS HF



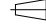
REV.	ECN. NO.	APPD.
A	ECN200514003	River



- NOTES:
1. MATERIAL: SEE TABLE
  2. COLOR: PC-GS2
  3. FONISH: PC-GS2
  4. PRINTING AREA: 5AREA
  5. INSERT MOLDING: PA9T+SUS



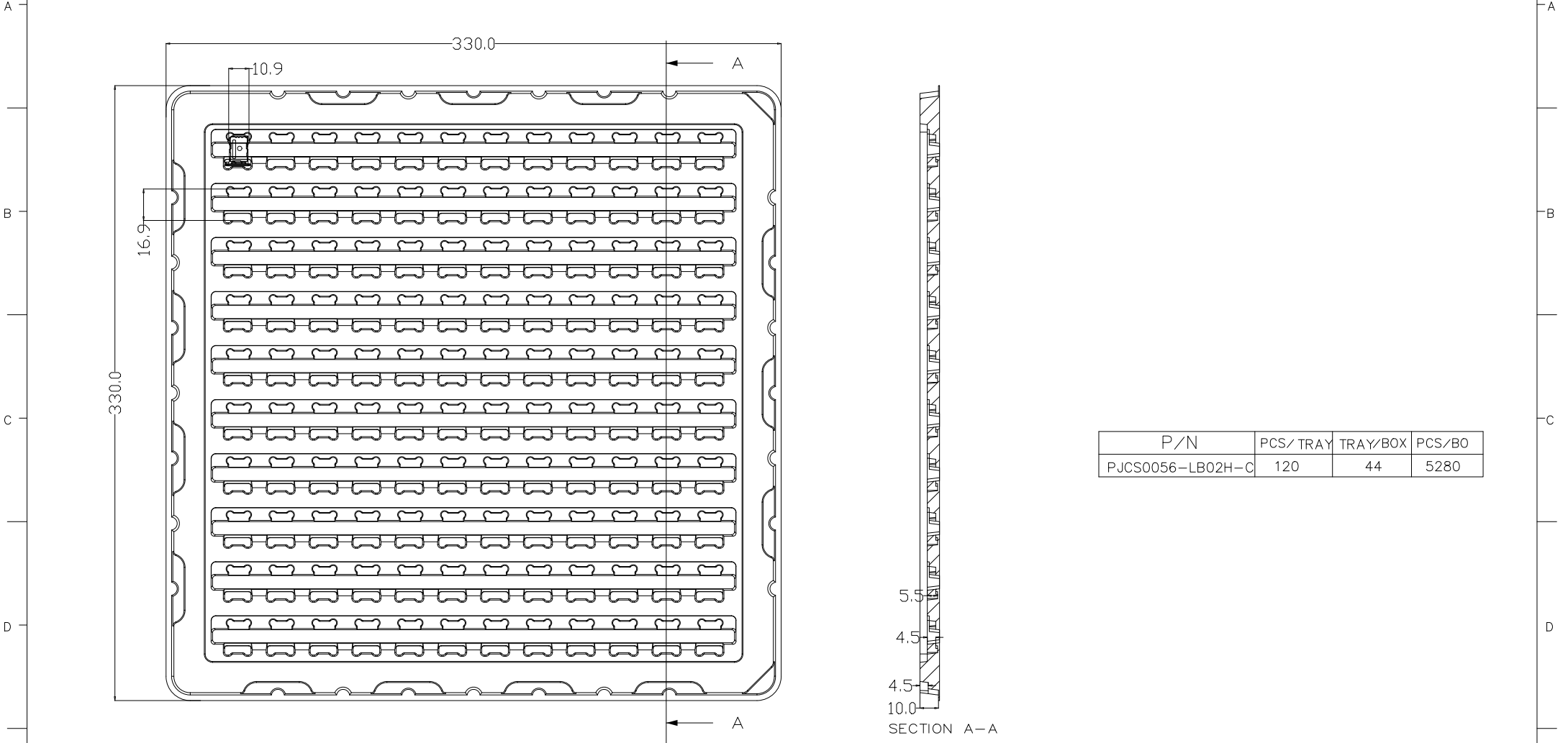
②	1	HOUSING	PA9T	PAINTING
①	1	PLATE	SUS301	PLATING NI
ITEM NO.	Q'TY	NAME	MATERIAL	FINISH

UNITS: mm	GENERAL TOLERANCE		APPROVE: River Yao	PART NO.(INTENDED USE) CTR-0001-020
DATE: 05/14'20	.X ±0.30	X.* ±3.0*	CHECKED: Stone Chen	TITLE: CUSTOMER DRAWING FOR I/M TRAY
SCALE: 5:1	.XX ±0.25	.X* ±2.0*	DRAW: Yao Jiuru	DRAWING NO.: 820-0000-0839
SHEET: 1/2	MATERIAL: N/A	Q'TY N/A	 <b>Highstar</b> Drapho ELECTRONICS TECHNOLOGY CO., LTD	
REV.: A	FINISH: N/A	 		


AUTOCAD GENERATED DRAWING,DON'T CHANGE BY HAND

REV.	ECN. NO.	APPD.

RoHS HF



P/N	PCS/TRAY	TRAY/BOX	PCS/BO
PJCS0056-LB02H-C	120	44	5280

UNITS: mm	GENERAL TOLERANCE	APPROVE: River Yao	PART NO.: CTR-0001-020
DATE: 05/14'20	X. ±0.50 X. ±0.30 SCALE: 2/2 .XX ±0.20 .XXX ±0.15	CHECKED: Stone Chen	TITLE: TRAY FOR SEMI-MANUFACTURES OF USB Type-C REC CONN.
SHEET: 1/1	MATERIAL:	DRAWING: Yao Jiuru	DRAWING NO.: 820-0000-0839
REV. A	FINISH:	 <b>Highstar</b> Drapho ELECTRONICS TECHNOLOGY CO., LTD	

1 2 3 4 5 6 7

A B C D E

1 2 3 4 5 6 7

L