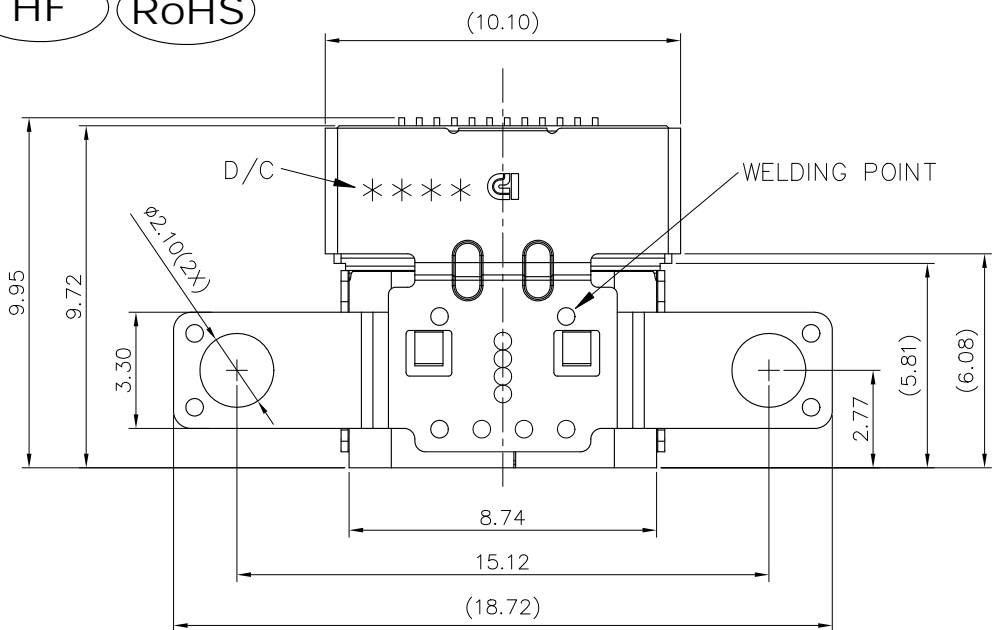


AUTOCAD GENERATED DRAWING,DON'T CHANGE BY HAND

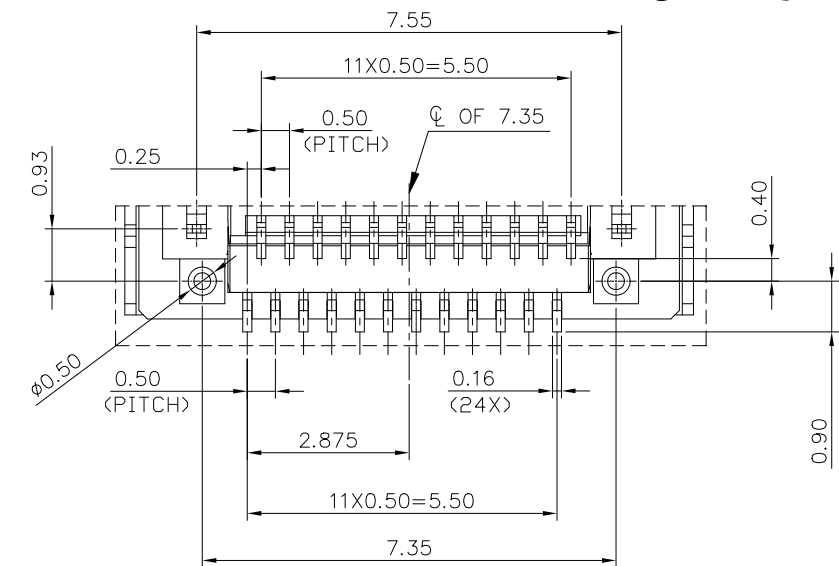
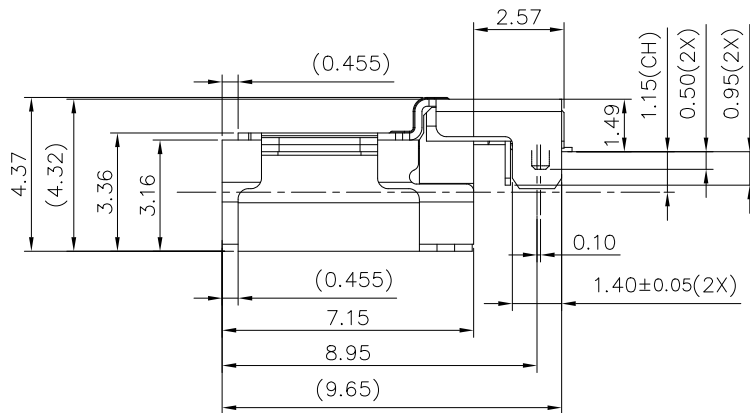
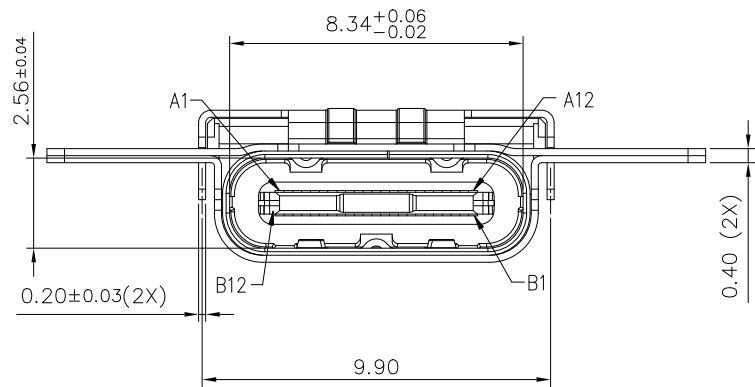
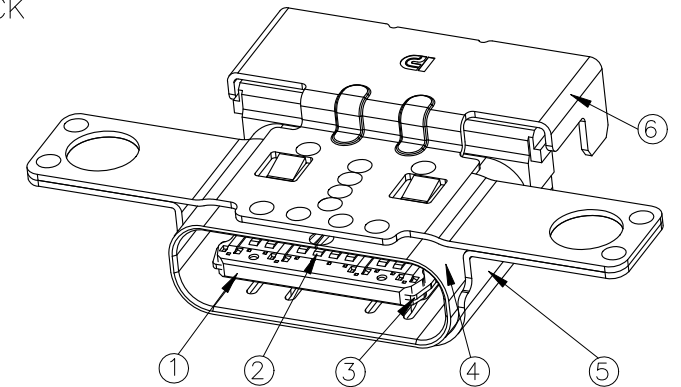
HF RoHS

REV.	ECN. NO.	APPD.
A	ECN190108007	RIVER
B	ECN191211009	River Yao
C	ECN200113001	River Yao
D	ECN200309001	River Yao
E	ECN200417014	River Yao

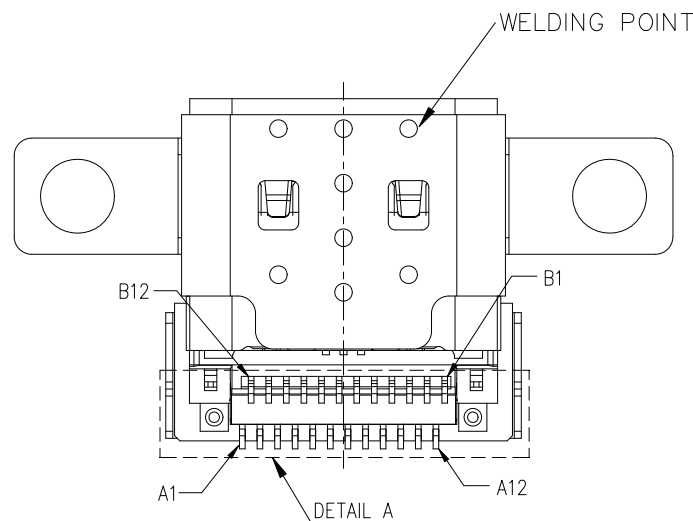


1: RIGHT ANGLE TYPE
 1: RECEPTACLE
 24: 24POS
 CONTACT PLATING:
 5: 5u" GOLD PLATING ON CONTACT AREA
 9: 30u" GOLD PLATING ON CONTACT AREA
 CENTER HEIGHT
 B2: -1.15mm

H: HALOGEN FREE & LEAD FREE
 PACKAGE CODE
 1: CARRIER TAPE
 W: WITH BRACKET, SCREW TYPE, BLACK Ni
 H: WITH BRACKET, SCREW TYPE, WHITE Ni
 O: COLOR: BLACK
 O: SMT TYPE



DETAIL A
SCALE 8:1

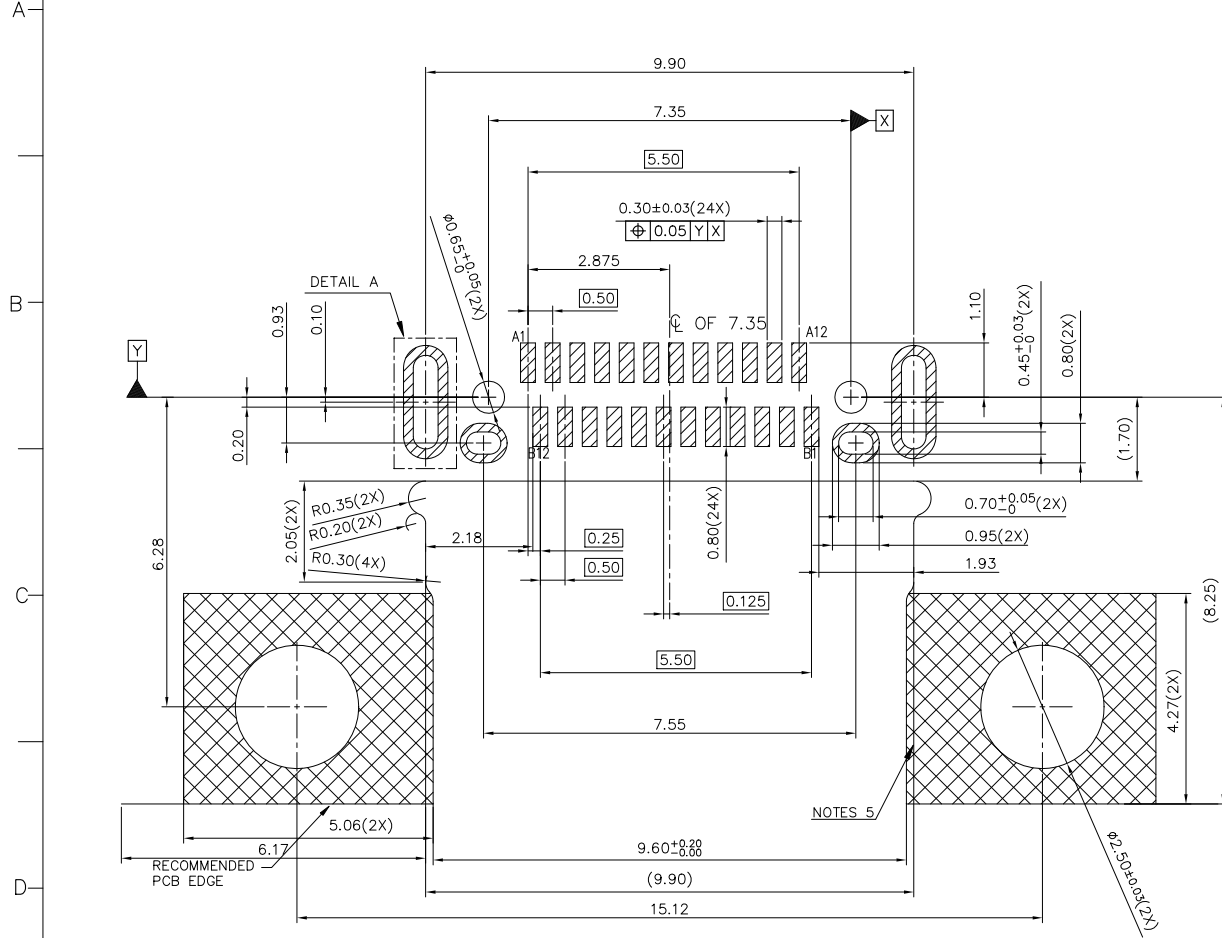


NOTES:

- MATERIAL: SEE TABLE.
- ELECTRICAL PERFORMANCES:
 - VOLTAGE RATING: 20V DC MAX.
 - CURRENT RATING:
 VBUS AND GND AT RATED OF 1.25A,
 PARALLELED FOR A TOTAL OF 5A.
 - LOW LEVEL CONTACT RESISTANCE:
 40mΩ MAX. FOR VBUS, GND AND OTHER CONTACTS,
 50mΩ MAX. FINAL AFTER TEST.
 - INSULATION RESISTANCE: 500 MΩ MIN.
 - DIELECTRIC WITHSTANDING VOLTAGE:
 SUBJECT A VOLTAGE OF 100V AC FOR 1
 MINUTE BETWEEN ADJACENT CONTACTS;
- MECHANICAL PERFORMANCES:
 - MATING FORCE: 0.5~2.0Kgf.
 - UNMATING FORCE: 0.8~2.0Kgf INITIAL, 0.7~2.0Kgf FINAL.
 - DURABILITY: 10000 CYCLES.
- G.P PASSED ACCORD WITH RoHS STANDARD.
- NO PCB ROUTING ALLOWEN IN THIS AREA.

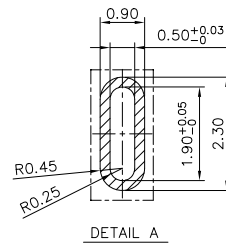
ITEM	MATERIAL	FINISH	REMARK
⑥	BRACKET	STAINLESS STEEL	50u" MIN. BLACK NICKEL PLATING OVER ALL.
⑤			50u" MIN. SOLDERABLE NICKEL PLATING OVER ALL.
④	SHELL	STAINLESS STEEL	50u" MIN. BLACK NICKEL PLATING OVER ALL.
③			50u" MIN. SOLDERABLE NICKEL PLATING OVER ALL.
②	SIGNAL CONTACT	COPPER ALLOY	GOLD PLATING ON CONTACT AREA, 1u" GOLD FLASH ON SOLDER AREA 50u" MIN. NICKEL UNDER PLATED OVER ALL.
①	I/M	HIGHTEMP-PLASTIC	UL94V-0; COLOR: BLACK
UNITS: mm		GENERAL TOLERANCE	APPROVED: River Yao
DATE: 04/20'20	X. ±0.50	X.* ±5°	CHECKED: Stone Chen
	.X ±0.30	.X.* ±3°	
	SCALE: 1:1	.XX ±0.20	
SHEET: 1/3	MATERIAL: N/A	Q'TY N/A	DRAW: Bo Liu
REV.: E	FINISH: N/A		
			PART NO.(INTENDED USE) UB1124*-B200*-1H
			TITLE: CUSTOMER DRAWING FOR TYPE C CH-1.15MM DUAL SMT
			DRAWING NO.: 820-0000-0740
			Highstar
Drapho ELECTRONICS TECHNOLOGY CO., LTD			

HF RoHS



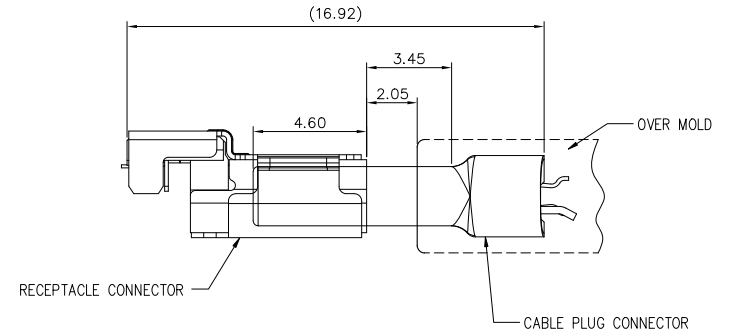
RECOMMENDED PCB LAYOUT(TOP VIEW)
PCB THICKNESS 1.0±0.05mm

SOLDERABLE AREA
 NO PCB ROUTING IN THIS AREA.



Pin	Signal	Description	Mating Sequence	Description	Signal	Pin
A1	GND (20V 5A)	Ground return	First	Ground return	Power GND (5A)	B12
A2	SSTXp1	Positive half of first SuperSpeed TX differential pair	Second	Positive half of first SuperSpeed RX differential pair	SSRXp1	B11
A3	SSTXn1	Negative half of first SuperSpeed TX differential pair	Second	Negative half of first SuperSpeed RX differential pair	SSRXn1	B10
A4	VBUS	Bus Power	First	Bus Power	VBUS	B9
A5	CC1	Configuration Channel	Second	Sideband Use(SBU)	SBU2	B8
A6	Dp1	Positive half of the USB2.0 differential pair-Position 1	Second	Negative half of the USB2.0 differential pair-Position 2	Dn2	B7
A7	Dn1	Negative half of the USB2.0 differential pair-Position 1	Second	Positive half of the USB2.0 differential pair-Position 2	Dp2	B6
A8	SBU1	Sideband Use(SBU)	Second	Configuration Channel	CC2	B5
A9	VBUS	Bus Power	First	Bus Power	VBUS	B4
A10	SSRXn2	Negative half of second SuperSpeed RX differential pair	Second	Negative half of second SuperSpeed TX differential pair	SSTXn2	B3
A11	SSRXp2	Positive half of second SuperSpeed RX differential pair	Second	Positive half of second SuperSpeed TX differential pair	SSTXp2	B2
A12	GND	Ground return	First	Ground return	GND	B1

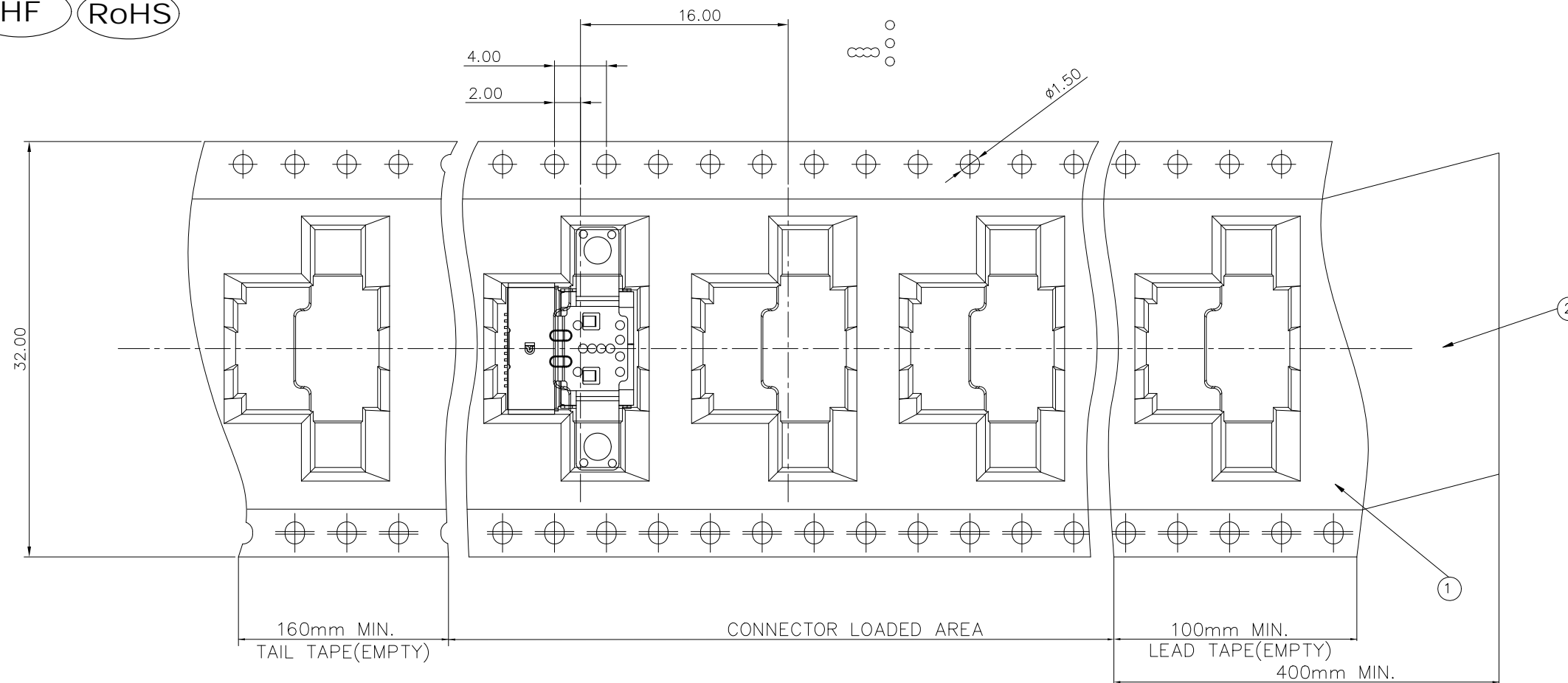
PIN ASSIGNMENTS



MATING CONDITION

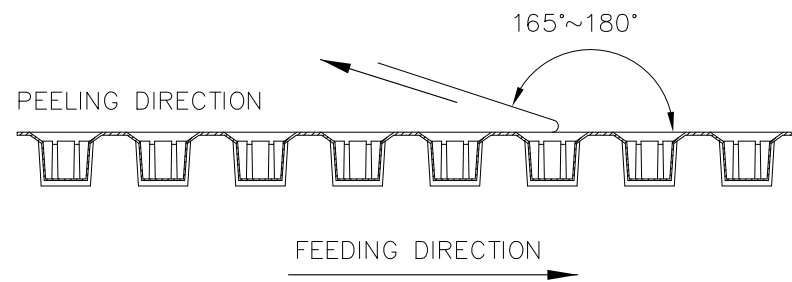
UNITS: mm	GENERAL TOLERANCE	APPROVED: River Yao	PART NO.(INTENDED USE) UB1124*-B200*-1H
DATE: 04/20'20	X. ±0.20 .X ±0.10	CHECKED: Stone Chen	TITLE: CUSTOMER DRAWING FOR TYPE C CH-1.15MM DUAL SMT
SCALE: 2:1	.XX ±0.05	DRAW: Bo Liu	DRAWING NO.: 820-0000-0740
SHEET: 2/3	MATERIAL: N/A	Q'TY N/A	Highstar
REV.: E	FINISH: N/A	DrapHO ELECTRONICS TECHNOLOGY CO., LTD	

HF RoHS



NOTES:

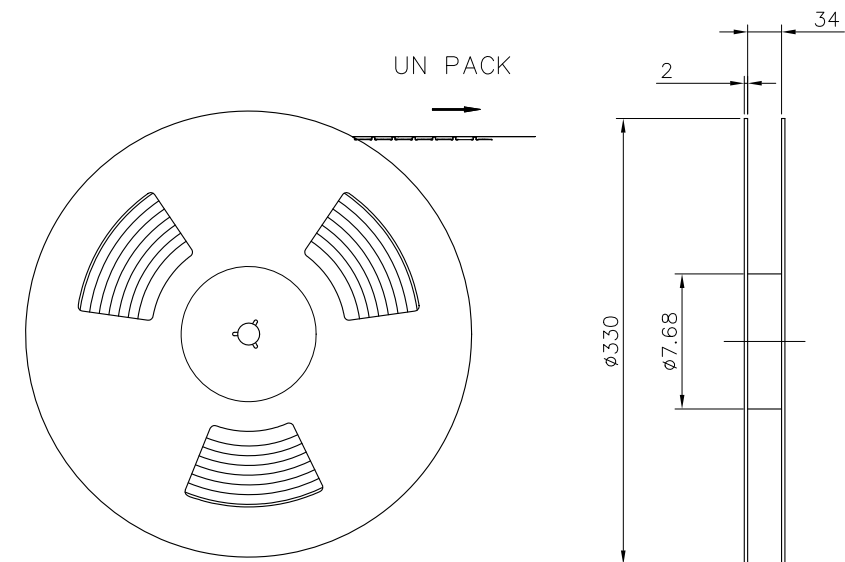
- 1.10 PITCHES CUMULATIVES TOLERANCE ON TAPE IS +/-0.20mm;
- 2.COVER TAPE PEELING STRENGTH :0.13Kgf MAX. AT 300mm/MINUTE;



3.PACKAGING CAPACITY:

P/N	PCS/REEL	REEL/BOX	PCS/BOX
UB1124*-B200*-1H	850	5	4250

ITEM	DESCRIPTION	MATERIAL
③	REEL	POLYSTYRENE
②	COVER TAPE	POLYSTER
①	CARRIER TAPE	POLYSTYRENE



PLASTIC REEL

UNITS: mm	GENERAL TOLERANCE		APPROVED: River Yao	PART NO.(INTENDED USE) UB1124*-B200*-1H
DATE: 04/20'20	X. ±0.50	X.* ±5°	CHECKED: Stone Chen	TITLE: CUSTOMER DRAWING FOR TYPE C CH-1.15MM DUAL SMT
SCALE: 1:2	.X ±0.30	.X.* ±3°	DRAW: Bo Liu	DRAWING NO.: 820-0000-0740
SHEET: 3/3	MATERIAL: N/A	Q'TY N/A	Highstar Drapho ELECTRONICS TECHNOLOGY CO.,LTD	
REV.: E	FINISH: N/A			