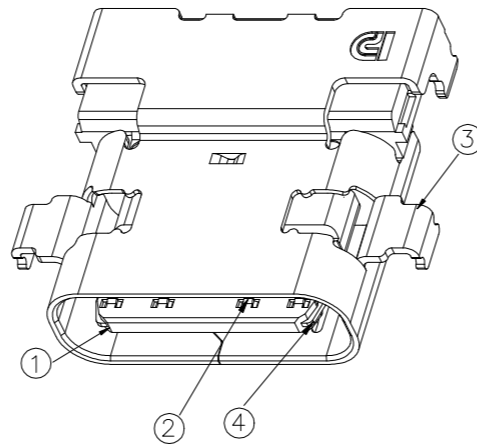
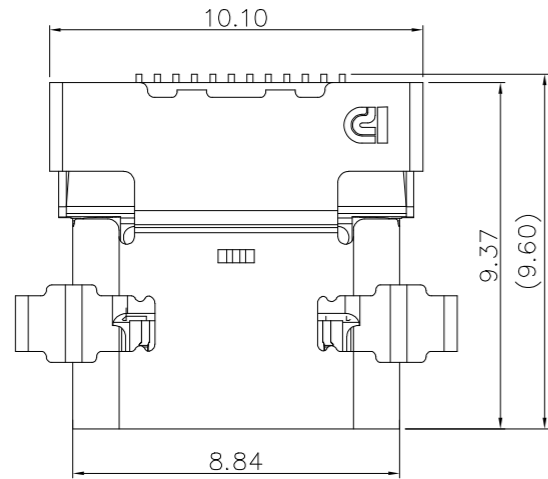


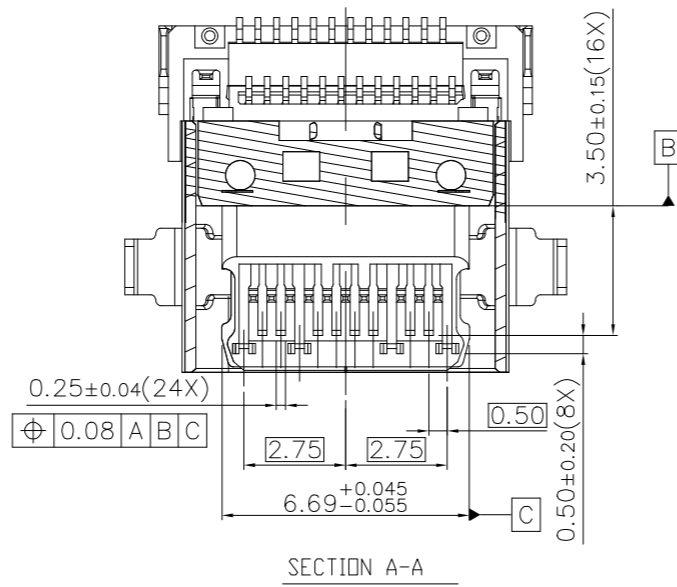
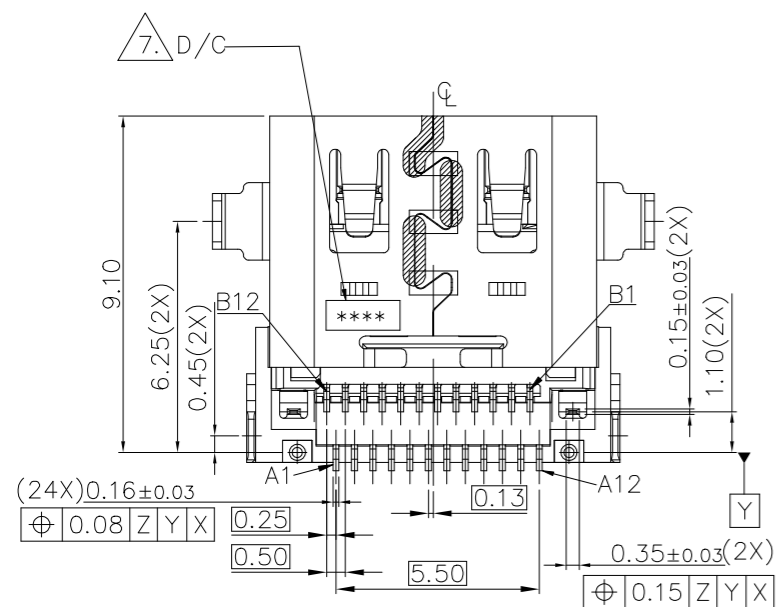
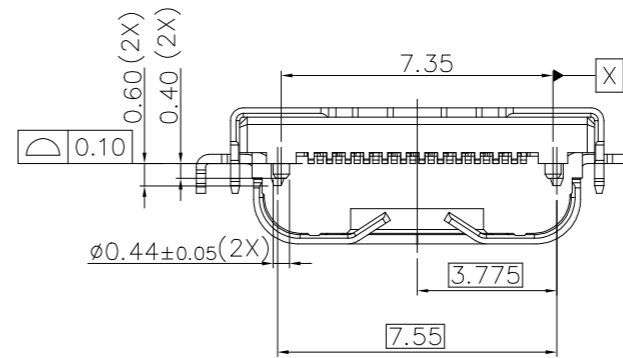
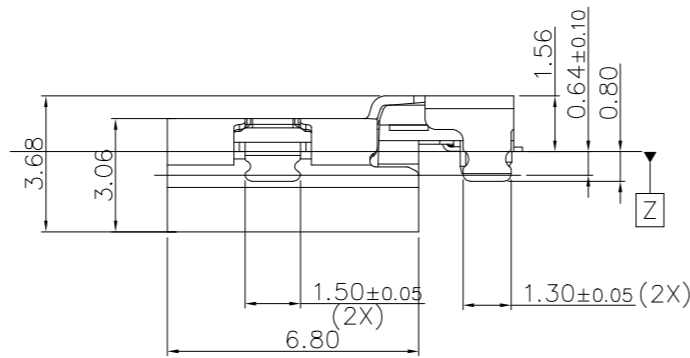
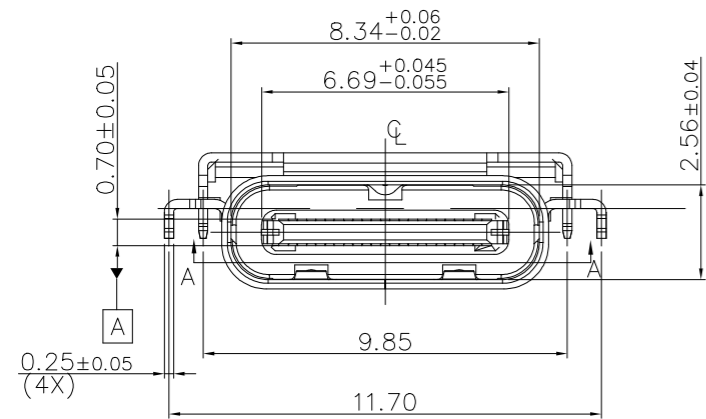
**RoHS HF**

REV.	ECN NO.	APPD.
E	ECN20200313003	River Rao
F	ECN200624002	River Rao
G	ECN201010001	Mike Wu
H	ECN210414010	Mike Wu



1: RIGHT ANGLE TYPE  
 1: RECEPTACLE  
 24: 24POS.  
 CONTACT PLATING:  
 6: 5u" GOLD PLATING ON CONTACT AREA  
 7: 12u" GOLD PLATING ON CONTACT ARE  
 9: 30u" GOLD PLATING ON CONTACT AREA  
 CENTER HEIGHT  
 A6: -0.64mm

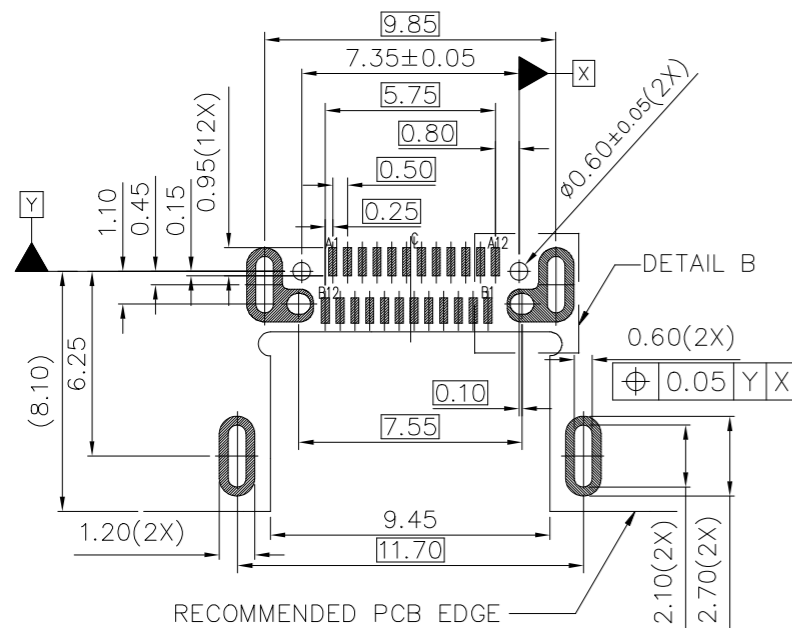
UB 1 1 24 \* - A 6 0 0 B-1 H  
 H: HALOGEN FREE & LEAD FREE  
 PACKAGE CODE  
 1: CARRIER TAPE  
 B: NORMAL TYPE  
 0: BLACK I/M  
 0: SMT TYPE



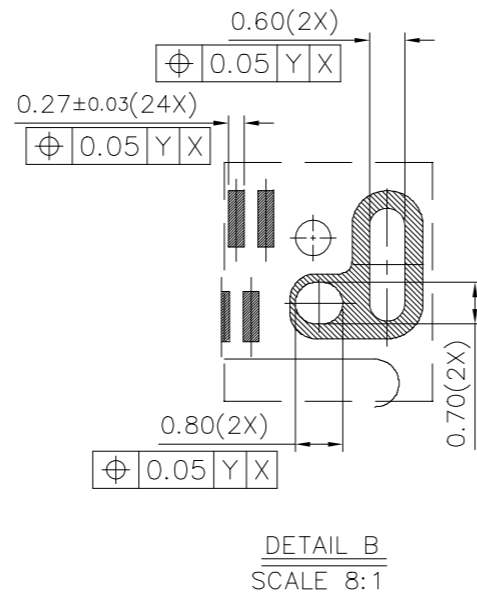
Q'TY	NAME	MATERAIL	REMARK	ITEM
1	BLADE	STAINLESS STEEL	50u"MIN NICKEL PLATED OVER ALL.	④
1	SHELL	STAINLESS STEEL	50u"MIN BLACK NICKEL PLATED OVER ALL.	③
24	CONTACT	COPPER ALLOY	GOLD PLATING ON CONTACT AREA, 1u" GOLD FLASH ON SOLDER AREA 50u" MIN. NICKEL UNDER PLATED OVER ALL.	②
1	I/M	HIGHTEMP-PLASTIC	UL94V-0, BLACK	①

UNITS: mm	GENERAL TOLERANCE	APPROVE: Mike Wu	PART NO.: UB1124*-A600B-1H
DATE: 04/23'21	X. ±0.50 .X ±0.30 SCALE: 5:1 .XX ±0.20 .XXX ±0.15	CHECKED: Stone Chen	TITLE: CUSTOMER DRAWING FOR USB TYPE-C CH -0.64MM AUTO LINE
SHEET: 1/3	MATERIAL: SEE TABLE	DRAWING: JIANG HUI	DRAWING NO.: 820-0000-0431
REV. H	FINISH: SEE TABLE	 <b>Highstar</b> Drapho ELECTRONICS TECHNOLOGY CO., LTD	

**RoHS HF**



**RECOMMENDED PCB LAYOUT**  
PCB THICKNESS 1.0±0.05mm  
TOLERANCE .XX ±0.05



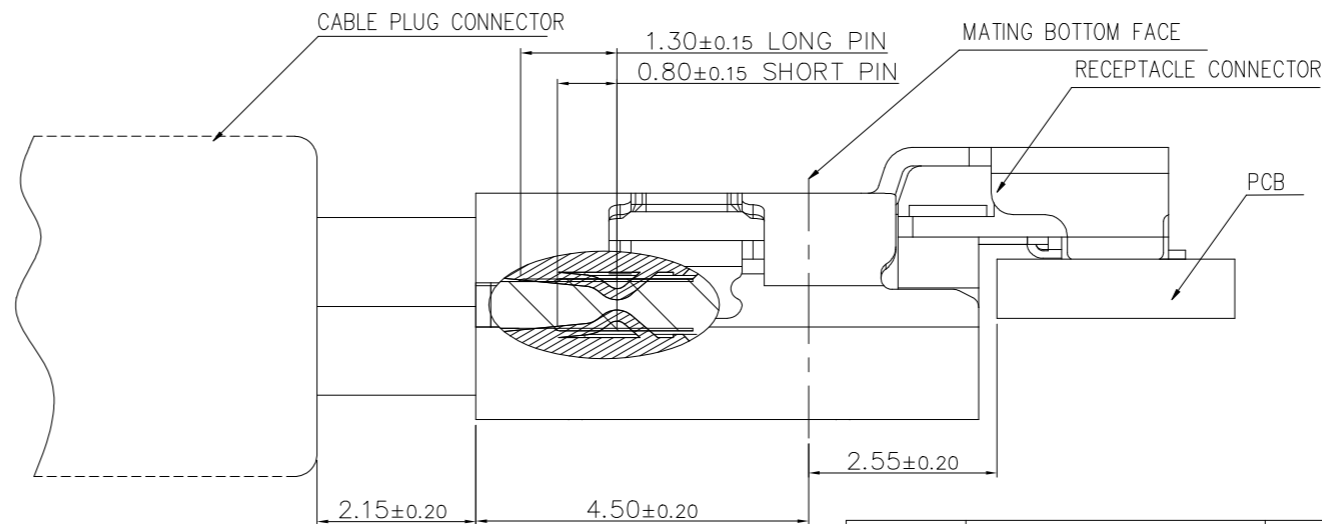
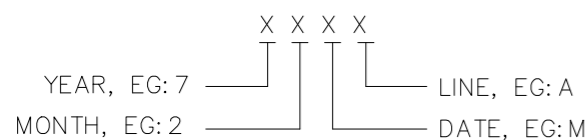
**DETAIL B**  
SCALE 8:1

PIN	SIGNAL	DESCRIPTION	MATING SEQUENCE	DESCRIPTION	SIGNAL	PIN
A1	GND (20V 5A)	GROUND RETURN	FIRST	GROUND RETURN	POWER GND(5A)	B12
A2	SSTXP1	POSITIVE HALF OF FRIST SUPERSPEED TX DIFFERENTIAL PAIR	SECOND	POSITIVE HALF OF FIRST SUPERSPEED RX DIFFERENTIAL PAIR	SSRXP1	B11
A3	SSTXN1	NEGATIVE HALF OF FRIST SUPERSPEED TX DIFFERENTIAL PAIR	SECOND	NEGATIVE HALF OF FIRST SUPERSPEED RX DIFFERENTIAL PAIR	SSRXN1	B10
A4	VBUS	BUS POWER	FIRST	BUS POWER	VBUS	B9
A5	CC1	CONFIGURATION CHANNEL	SECOND	SIDEBAND USE(SBU)	SBU2	B8
A6	DP1	POSITIVE HALF OF THE USB2.0 DIFFEREBTIAL PAIR-POSITION 1	SECOND	NEGATIVE HALF OF THE USB2.0 DIFFERENTIAL PAIR-POSITION 2	DN2	B7
A7	DN1	NEGATIVE HALF OF THE USB2.0 DIFFEREBTIAL PAIR-POSITION 1	SECOND	POSITIVE HALF OF THE USB2.0 DIFFERENTIAL PAIR-POSITION 2	DP2	B6
A8	SBU1	SIDEBAND USE(SBU)	SECOND	CONFIGURATION CHANNEL	CC2	B5
A9	VBUS	BUS POWER	FIRST	BUS POWER	VBUS	B4
A10	SSRXN2	NEAGTIVE HALF OF SECOND SUPERSPEED RX DIFFERENTIAL PAIR	SECOND	NEGATIVE HALF OF SECOND SUPERSPEED TX DIFFERENTIAL PAIR	SSTXN2	B3
A11	SSRXP2	POSITIVE HALF OF SECOND SUPERSPEED RX DIFFERENTIAL PAIR	SECOND	POSITIVE HALF OF SECOND SUPERSPEED TX DIFFERENTIAL PAIR	SSTXP2	B2
A12	GND	GROUND RETURN	FIRST	GROUND RETURN	GND	B1

**PIN ASSIGNMENT**

- NOTES:
- MATERIAL: SEE TABLE.
  - ELECTRICAL PERFORMANCES:
    - VOLTAGE RATING: 20V DC MAX.
    - CURRENT RATING: VBUS AND GND AT RATED OF 1.25A, PARALLELED FOR A TOTAL OF 5A.
    - LOW LEVEL CONTACT RESISTANCE: 40mΩ MAX. FOR VBUS,GND AND OTHE CONTACTS, 50mΩ MAX. FINAL AFTER TEST.
    - INSULATION RESISTANCE: 500 MΩ MIN.
    - DIELECTRIC WITHSTANDING VOLTAGE: SUBJECT A VOLTAGE OF 100V AC FOR 1 MINUTE BETWEEN ADJACENT CONTACTS;
  - MECHANICAL PERFORMANCES:
    - MATING FORCE: 0.5~2.0Kgf.
    - UNMATING FORCE: 0.8~2.0Kgf 1000 TIMES, 0.6~2.0Kgf 10000TIMES.
    - DURABILITY: 10000 CYCLES.
  - G.P PASSED ACCORD WITH RoHS STANDARD.  
 CHLORINE(Cl): 900ppm MAX.  
 BROMINE(Br): 900ppm MAX.  
 CHLORINE(Cl)&BROMINE(Br): 1500ppm MAX.
  - HARMFUL MATERIAL MEET THE REQUIRMENTS OF DRAPHO'S STANDARD DOCUMENT "DQSP2014".
  - PLEASE CONTACT DRAPHO SALES REPRESENTATIVE TO VERIFY PRODUCT DETAILS & AVAILABILITY.

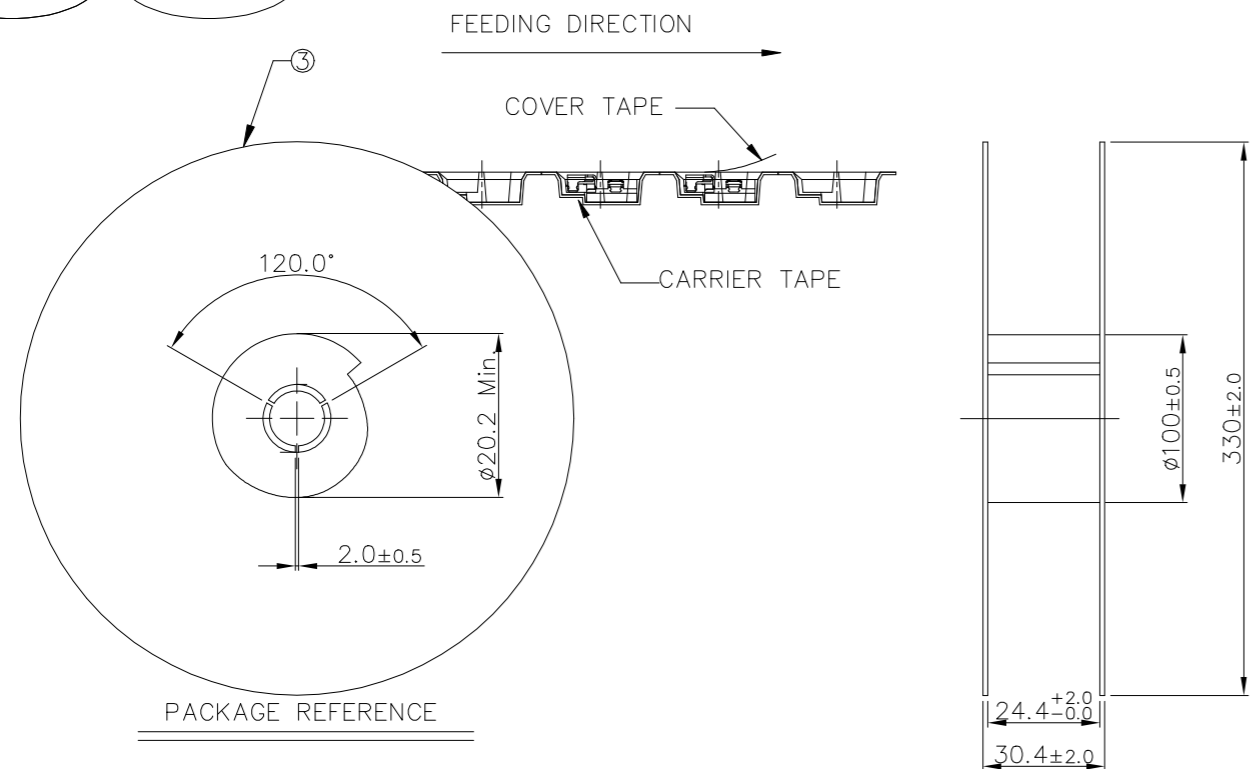
7. D/C



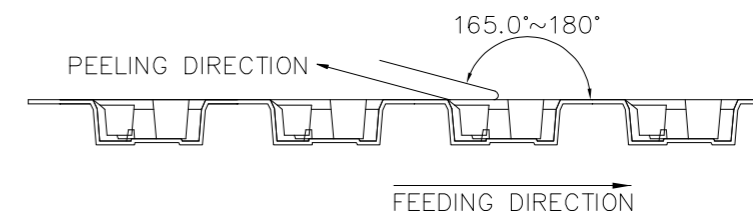
**MATING CONDITION**  
SCALE 10:1

UNITS: mm	GENERAL TOLERANCE	APPROVE: Mike Wu	PART NO.: UB1124*-A600B-1H
DATE: 04/23'21	X. ±0.50 .X ±0.30 .XX ±0.20 4:1 .XXX ±0.15	CHECKED: Stone Chen	TITLE: CUSTOMER DRAWING FOR USB TYPE-C CH -0.64MM AUTO LINE
SHEET: 2/3	MATERIAL: N/A	DRAWING: JIANG HUI	DRAWING NO.: 820-0000-0431
REV. H	FINISH: N/A	<p><b>Highstar</b> Drapho ELECTRONICS TECHNOLOGY CO., LTD</p>	

**RoHS** **HF**

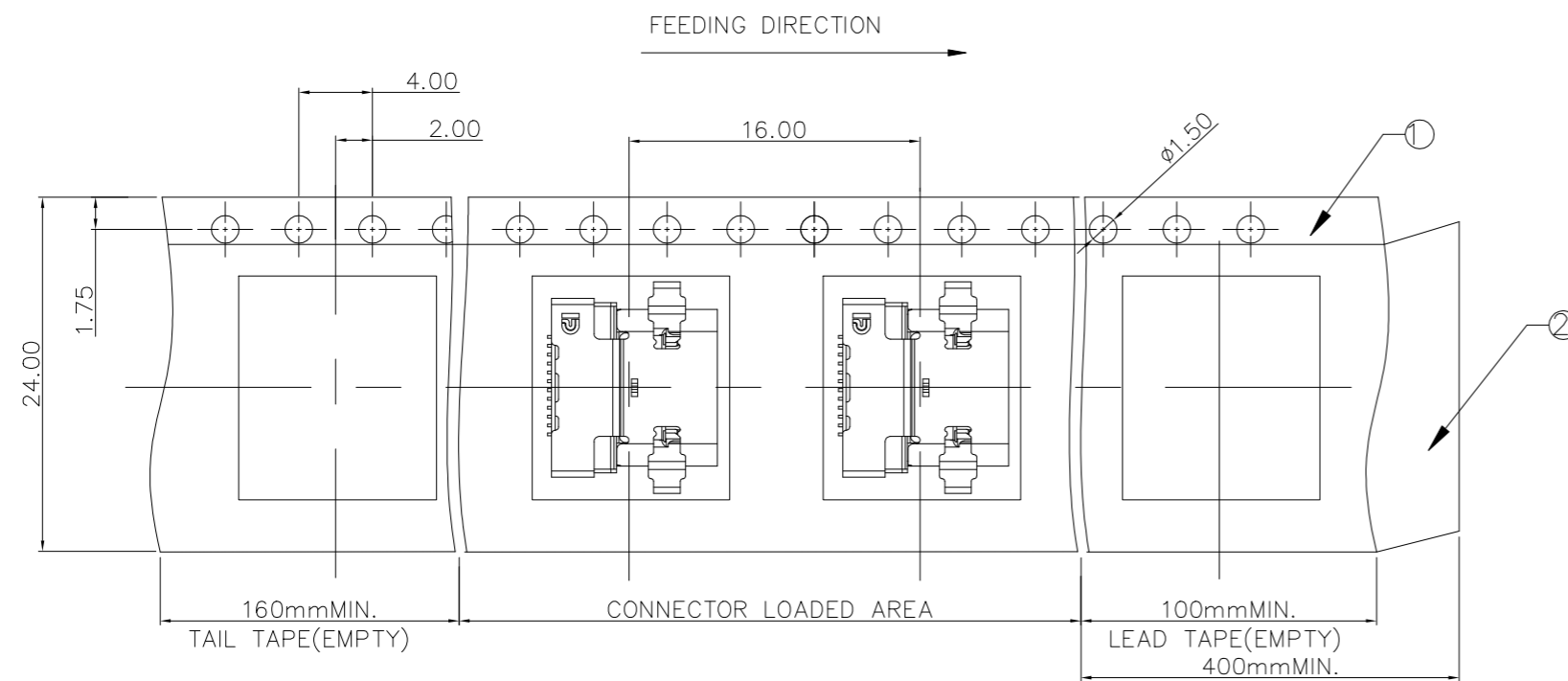


NOTES:  
 1.10 PITCHES CUMULATIVES TOLERANCE ON TAPE IS +/-0.20mm;  
 2.COVER TAPE PEELING STRENGTH :0.13Kgf MAX. AT 300mm/MINUTE;



3.PACKAGING CAPACITY:

P/N	PCS/REEL	REEL/BOX	PCS/BOX
JB1124*-A600B-1H	900	6	5400



ITEM	DESCRIPTION	MATERIAL
③	REEL	POLYSTYRENE
②	COVER TAPE	POLYSTER
①	CARRIER TAPE	POLYSTYRENE

UNITS: mm	GENERAL TOLERANCE		APPROVE: Mike Wu	PART NO.: UB1124*-A600B-1H
DATE: 04/23'21	X. ±0.50	X. ±2°	CHECKED: Stone Chen	TITLE: CUSTOMER DRAWING FOR USB TYPE-C CH -0.64MM AUTO LINE
SCALE: 5:1	.X ±0.30	.X ±1°	DRAWING: JIANG HUI	DRAWING NO.: 820-0000-0431
SHEET: 3/3	MATERIAL: N/A	Q'TY N/A	 <b>Highstar</b> Drapho ELECTRONICS TECHNOLOGY CO., LTD	
REV. H	FINISH: N/A			