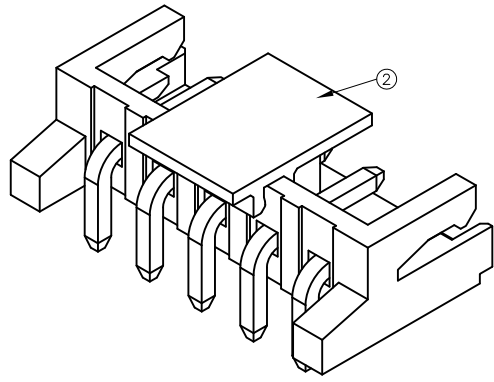
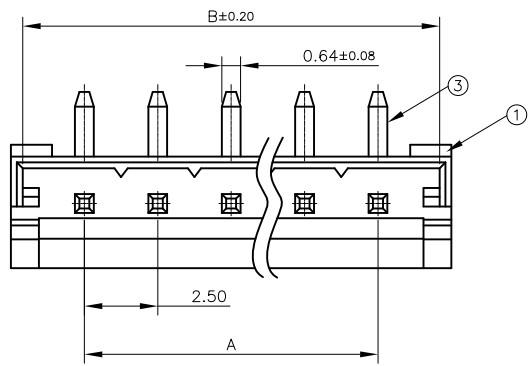
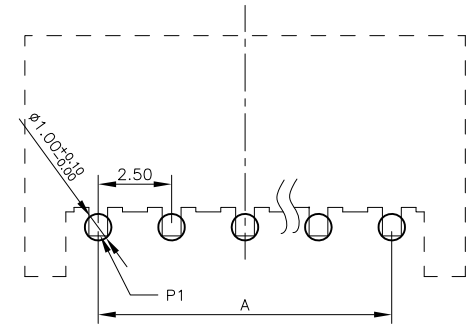
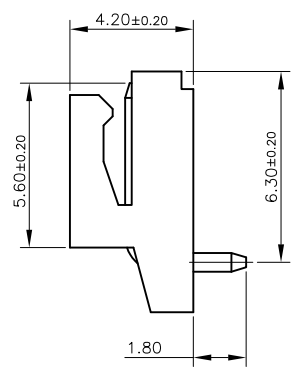
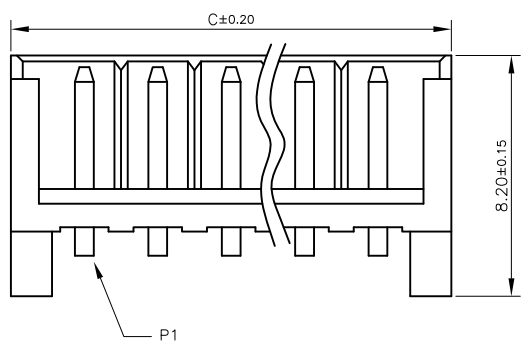


REV.	ECN. NO.	APPD.
A	ECN150206014	Fan Fang
B	ECN160905014	Fan Fang

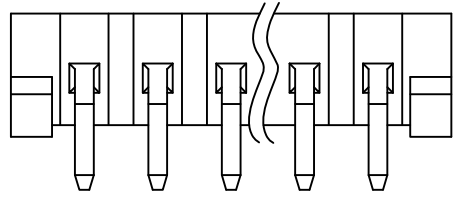


- NOTES:
1. DIMENSIONS SHALL BE INTERPRETED PER ASME Y14.5M-1994.
 2. ELECTRICAL CHARACTERISTICS:
 - 2-1. CONTACT CURRENT RATING: 3.5A MAX. PER PIN.
 - 2-2. LOW LEVEL CONTACT RESISTANCE: 20 MILLIOHMS MAX.
 - 2-3. INSULATION RESISTANCE: 100MOHMS MIN. AT 250VDC.
 - 2-4. DIELECTRIC WITHSTANDING VOLTAGE: 500V RMS AT 60Hz
 3. OPERATING TEMPERATURE : -40°C TO 85°C.
 4. HARMFUL MATERAIL MEET DSQC0042.

DIMENSIONAL ORDERING INFORMATION:			
CIRCUITS PART NO	DIMENSIONS		
	A	B	C
2P	2.50	6.70	7.50
3P	5.00	9.20	10.00
4P	7.50	11.70	12.50
5P	10.00	14.20	15.00
6P	12.50	16.70	17.50
7P	15.00	19.20	20.00
8P	17.50	21.70	22.50
9P	20.00	24.20	25.00
10P	22.50	26.70	27.50
11P	25.00	29.20	30.00
12P	27.50	31.70	32.50
13P	30.00	34.20	36.00
14P	32.50	36.70	37.50
15P	35.00	39.20	40.00
16P	37.50	41.70	42.50



RECOMMENDED PCB LAYOUT
TOLERANCE : ±0.05



PART LIST	
③	CONTACT WS93**1-S0421-HF LEAD&HALOGEN FREE PROFILE HEIGHT 42:4.2mmH CONTACT AREA PLATING 1:GOLD PALTING
②	CAP UL94V-0 ,WHITE
①	HOUSING UL94V-0 ,WHITE
WTB CONN.	9:2.5mm PITCH POS NO. 02:2POS

ITEM NO.	NAME	Q'TY	MATERAIL	FINISH
③	CONTACT	5	COPPER ALLOY	50u" MIN NICKEL UNDER PLATING OVER ALL; GOLD FLASH ON CONTACT&SOLDER AREA;
②	CAP	1	HIGHTEMLASTIC	UL94V-0 ,WHITE
①	HOUSING	1	HIGHTEMLASTIC	UL94V-0 ,WHITE

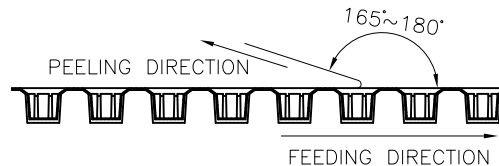
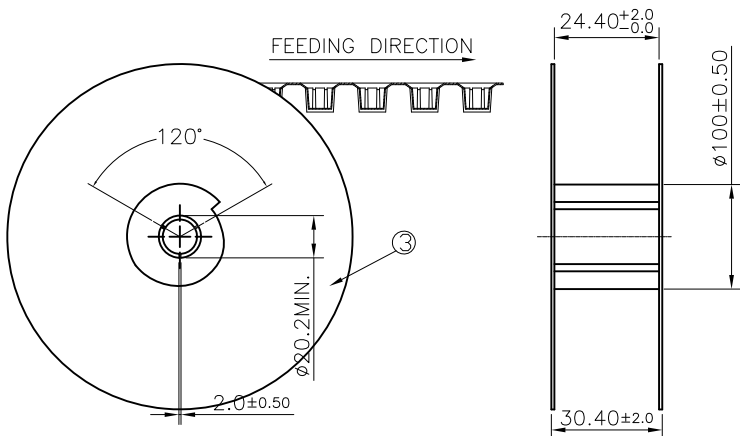
UNITS: mm	GENERAL TOLERANCE	APPROVE: Fan Fang	PART NO.(INTENDED USE) WS93**1-S0421-HF
DATE: 09/09'16	X. ±0.30 .X ±0.20 SCALE: N/A	CHECKED: Daniel Yuan	TITLE: WTB CUSTOMER DRAWING
SHEET: 1/2	MATERIAL: SEE TABLE	DRAW: Adam Zhu	DRAWING NO.: 820-0000-0216
REV.: B	FINISH: SEE TABLE	 Drapho ELECTRONICS TECHNOLOGY CO., LTD	



Highstar

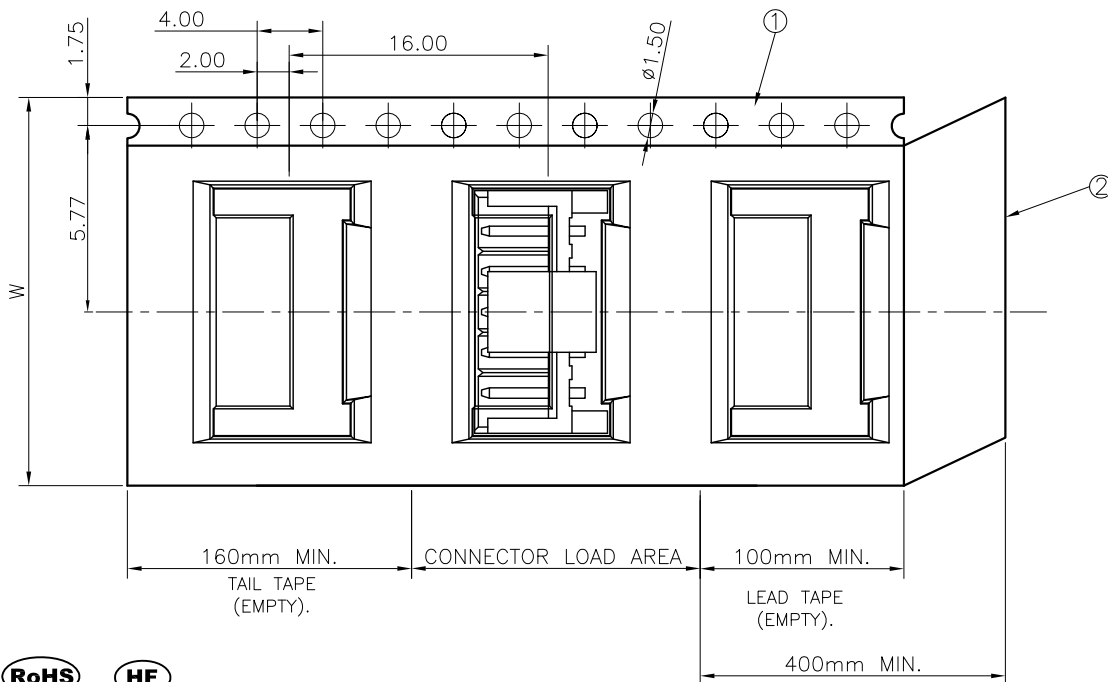
NOTES:

1. 10 PITCHES CUMULATIVE TOLERANCE ON TAPE $\pm 0.20\text{mm}$.
2. COVER TAPE PEELING STRENGTH: 0.13kgf MAX AT 300mm/MINUTE.




3. PACKING CAPACITY:

P/N	PCS/REEL	REEL/BOX	PCS/BOX	W	Q	R	M	N
2POS	500	9	4500	16.00	/	7.50	16.40	22.40
3POS~5POS	500	6	3000	24.00	/	11.50	24.40	30.40
6POS&7POS	500	5	2500	32.00	28.40	14.20	32.40	38.40
8POS~12POS	500	6	3000	44.00	40.40	20.20	44.40	50.40
13POS~15POS	500	5	2500	56.00	52.40	26.20	56.40	62.40



③	REEL	POLYSTYPENE
②	COVER TAPE	POLYESTER
①	CARRIER TAPE	POLYSTYRENE
ITEM	DESCRIPTION	MATERIAL

UNITS: mm	GENERAL TOLERANCE	APPROVE: Fan Fang	PART NO.(INTENDED USE) WS93**1-S0421-HF
DATE: 09/09'16	X. ± 0.30 .X ± 0.20 .XX ± 0.15	X.* $\pm 5.00^*$.X.* $\pm 3.00^*$.XX.* $\pm 2.00^*$	CHECKED: Daniel Yuan
SCALE: N/A			TITLE: WT CUSTOMER DRAWING
SHEET: 2/2	MATERIAL: SEE TABLE	Q'TY N/A	DRAWING: Adam Zhu
REV.: B	FINISH: SEE TABLE		DRAWING NO.: 820-0000-0216
		 Highstar Drapho ELECTRONICS TECHNOLOGY CO., LTD	

