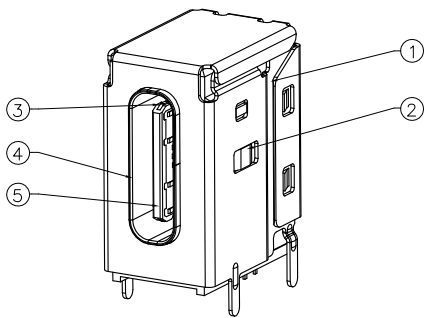
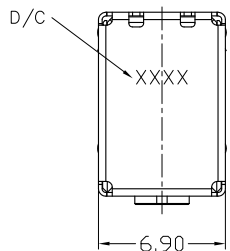


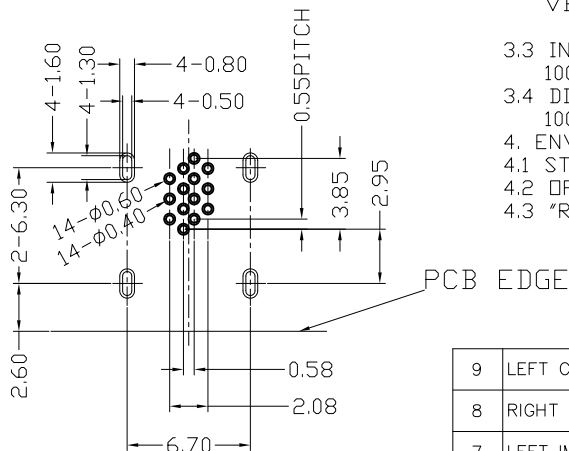
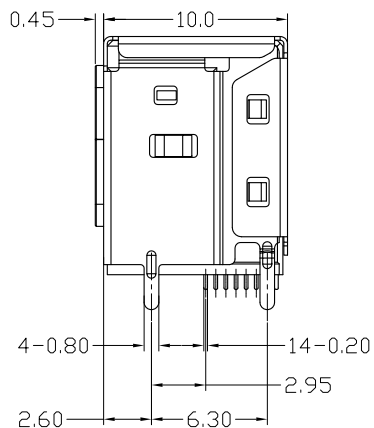
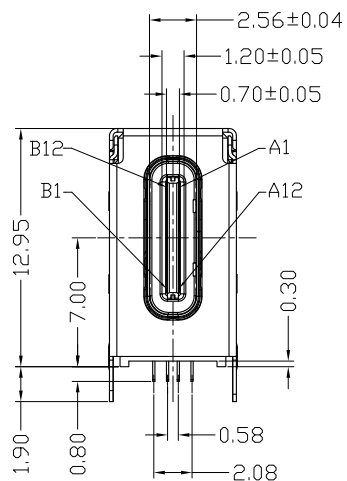
REV.	ECN. NO.	APPD.
A	ECN180416002	River Yao
B	ECN180528010	River Yao
C	ECN180529032	River Yao



3D VIEW

NOTES:

1. MATERIAL & PLATING: PLEASE SEE BDM;
2. MECHANICAL CHARACTERISTICS:
 - 2.1 INSERTION FORCE: 5-20N (INITAIL AND AFTER TEXT)
 - 2.2 EXTRACTION FORCE: 8-20N (INITAIL) 8-20N (AFTER 1000 times TEST) 6-20N (AFTER 10000 times TEST)
 - 2.3 DURABILITY: 10000 CYCLES;
3. ELECTRICAL CHARACTERISTICS:
 - 3.1 CONTACT CURRENT RATING: 1.25A FOR EVERY VBUS/GND PINS , TOTAL 5A; 0.25A FOR OTHER PINS
 - 3.2 CONTACT RESISTANCE: VBUS/GND PINS 40mΩ MAX. OTHERS 40mΩ MAX(INITAIL), 50mΩ MAX. (AFTER TEST)
 - 3.3 INSULATION RESISTANCE: 100 MΩ MIN.
 - 3.4 DIELECTRIC WITHSTANDING VOLTANG: 100 VAC MIN.
4. ENVIRONMENTAL CHARACTERISTICS:
 - 4.1 STORAGE TEMPERATURE: -20°C TO +85°C
 - 4.2 OPERATING TEMPERATURE: -20°C TO +85°C.
 - 4.3 "RoHS" COMPLIANT



RECOMMENDED PCB LAYOUT
TOLERANCE: ±0.05mm THICK: 1.00mm

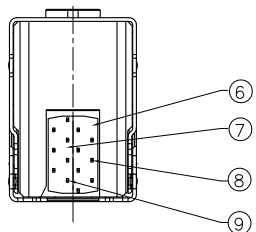
USB Type-C Receptacle Interface Pin Assignments

USB Type-C					
PIN	SIGNAL NAME	MATING SEQUENCE	PIN	SIGNAL NAME	MATING SEQUENCE
A1	GND	FIRST	B12	GND	FIRST
A4	VBUS	FIRST	B9	VBUS	FIRST
A5	CC1	SECOND	B7	Dn2	SECOND
A6	Dp1	SECOND	B6	Dp2	SECOND
A7	Dn1	SECOND	B5	CC2	SECOND
A9	VBUS	FIRST	B4	VBUS	FIRST
A12	GND	FIRST	B1	GND	FIRST

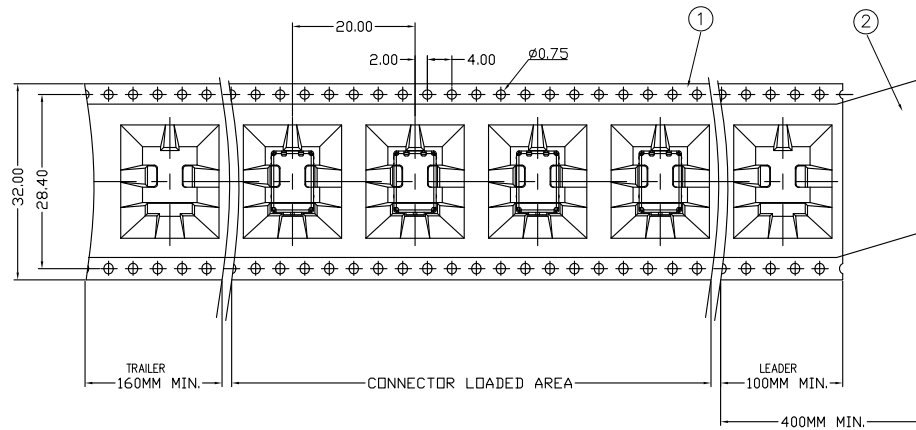
9	LEFT CONTACT	1	COPPER ALLOY THICKNESS: 0.12MM	Ni PLATING OVERALL; Au PLATING AT CONTACT AREA; TIN PLATING AT SOLDER AREA	
8	RIGHT CONTACT	1			
7	LEFT IM	1	THERMOPLASTIC, UV94-V0	COLOR: WHITE	
6	RIGHT IM	1			
5	SECOND IM	1	THERMOPLASTIC, UV94-V0	COLOR: WHITE	
4	INNER SHELL	1	STAINLESS STEEL THICKNESS: 0.20MM	Ni PLATING OVERALL;	
3	MID-PLATE	1	STAINLESS STEEL THICKNESS: 0.20MM	RINSE	
2	HOUSING	1	THERMOPLASTIC, UV94-V0	COLOR: BLACK	
1	OUT SHELL	1	STAINLESS STEEL THICKNESS: 0.20MM	Ni PLATING OVERALL;	

NO.	PART NAME	Q'TY	MATERIAL	FINISH	REMARK
UNITS: mm		GENERAL TOLERANCE		APPROVE: River Yao	PART NO.: UB11145-70100-1H
DATE: 06/01'18		SCALE: .X ±0.40 .X' ±0.15 .XX ±0.10 .XXX ±0.10		CHECKED: River Yao	TITLE: CUSTOMER DRAWING OF 14Pin UP RIGHT TYPE C
SHEET: 1/2		MATERIAL: NA Q'TY NA		DRAW: Susan Zhao	DRAWING NO.: 820-0000-0666
REV. c		FINISH: NA		<p>Highstar</p>	

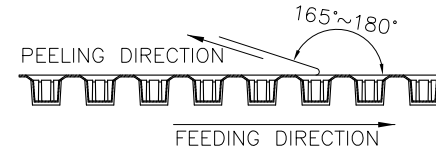
XX XX
WEEK
YEAR



REV.	ECN. NO.	APPD.

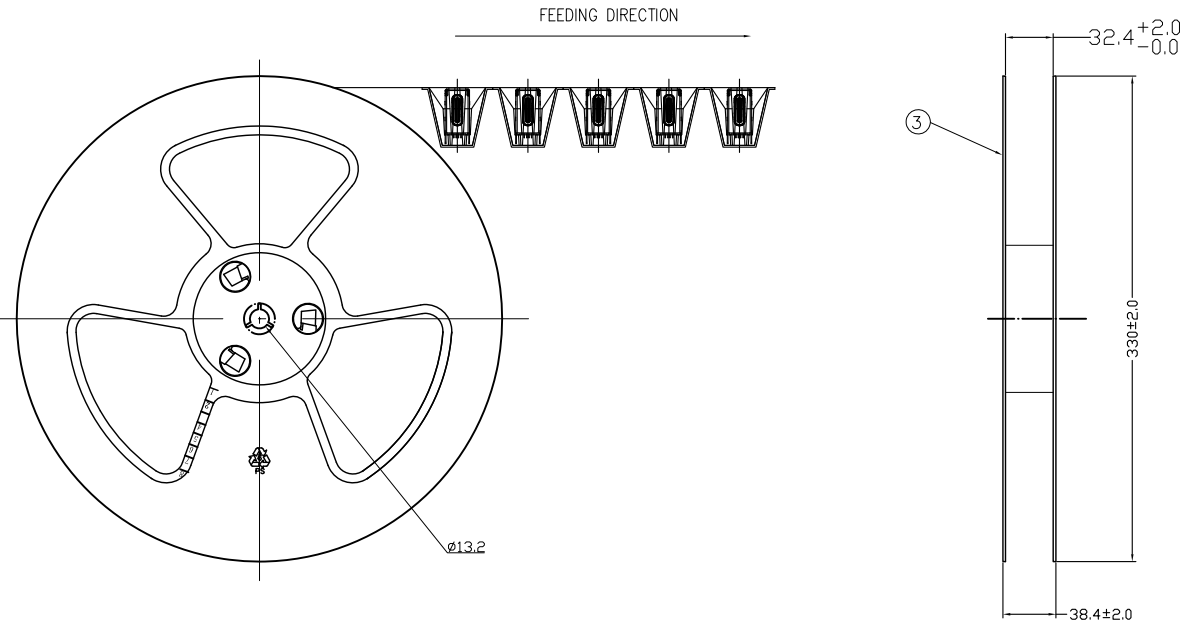


NOTES:
 1.10 PITCHES CUMULATIVES TOLERANCE ON TAPE IS $\pm 0.20\text{mm}$;
 2.COVER TAPE PEELING STRENGTH :0.13Kgf MAX. AT 300mm/MINUTE;




3.PACKAGING CAPACITY:

P/N	PCS/REEL	REEL/BOX	PCS/BOX
UB11145-70100-1H	165	9	1485



ITEM	DESCRIPTION	MATERIAL
③	REEL	POLYSTYRENE
②	COVER TAPE	POLYSTER
①	CARRIER TAPE	POLYSTYRENE

UNITS: mm	GENERAL TOLERANCE		APPROVE: River Yao	PART NO.: UB11145-70100-1H
DATE: 06/01'18	.X ±0.40	X.*	CHECKED: River Yao	TITLE: CUSTOMER DRAWING OF 14Pin UP RIGHT TYPE C
SCALE: NA	.XX ±0.15	.X*	DRAW: Susan Zhao	DRAWING NO.: 820-0000-0666
SHEET: 2/2	MATERIAL: NA	Q'TY NA	 Highstar Drapho ELECTRONICS TECHNOLOGY CO., LTD	
REV. C	FINISH: NA	